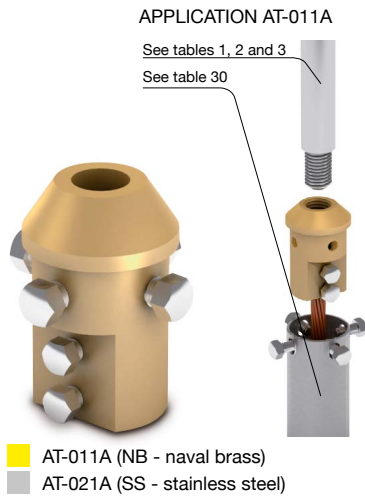




> INTERCEPTION SYSTEMS AND ACCESSORIES

> FIXINGS

> ADAPTING PIECE



Suitable for fixing the lightning rod in the mast (table 26) with internal conductor (tape, cable or round) connection. Air termination rod as AT-121A (table 3) or AT-114A (table 7) can be fixed in AT-161A.

Reference	Mast Ø	Dimensions (mm)	Conductor range			Thread	Material	Weight (g)
			Ø (mm)	mm <sup>2</sup>	Tape (mm)			
AT-010A	1½"	Ø48 x 70	8 - 10	50 - 70	-	M20	Naval brass	675
AT-011A	1½"	Ø48 x 70	8 - 10	50 - 70	30 x 2 - 30 x 3.5	M20	Naval brass	655
AT-012A	1"	Ø34 x 97	8 - 10	50 - 70	-	M20	Naval brass	420
AT-020A	1½"	Ø48 x 70	8 - 10	50 - 70	-	M20	Stainless steel	615
AT-021A	1½"	Ø48 x 70	8 - 10	50 - 70	30 x 2 - 30 x 3.5	M20	Stainless steel	640
AT-022A	1"	Ø34 x 97	8 - 10	50 - 70	-	M20	Stainless steel	400
AT-151A	1½"	Ø48 x 70	8 - 10	50 - 70	30 x 2 - 30 x 3.5	M20	Aluminium	335
AT-161A	1½"	Ø48 x 70	8 - 10	50 - 70	30 x 2 - 30 x 3.5	M16	Stainless steel	625

Complies with UNE 21186, NF C 17-102, IEC 62305, IEC 62561