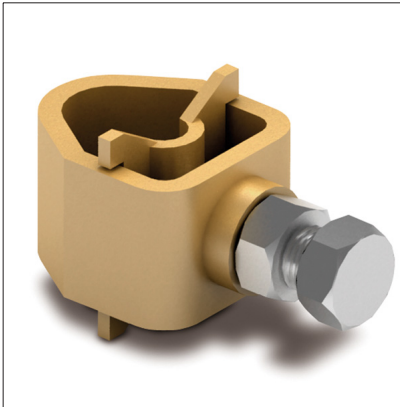


DATASHEET

CATEGORY: Multipurpose clamp
 NAME: **Naval brass clamp for cable/tape + rod**
 REFERENCE: **AT-090H**

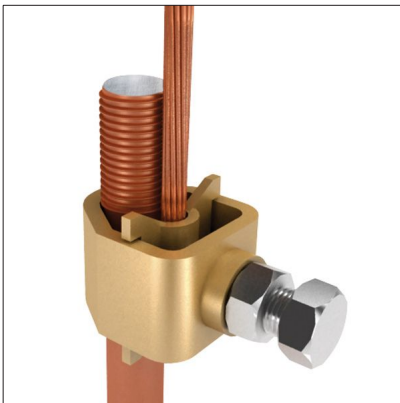
PRODUCT DESCRIPTION

Multipurpose brass clamp for bonding \varnothing 8 - 10 mm (50 - 70 mm) cable or 30 x 2 - 30 x 3.5 mm tape with \varnothing 14 - 19 mm rod.



Optimal tightening thanks to intermediate plate

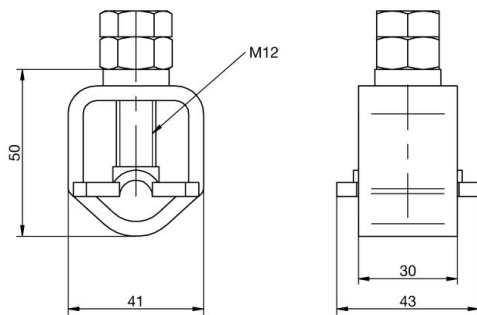
> Application



DATASHEET

Reference	AT-090H
Dimensions	85 x 41 x 44 mm
Tape	30 x 2 - 30 x 3.5 mm
Cable (diameter)	8 - 10 mm
Cable (section)	50 - 70 mm ²
For rod (diameter)	14 - 22 mm
Weight	235 g
Materials	Naval brass
Standards	Complies with UNE 21186, NF C 17-102, IEC 62305

> Diagram (mm)



OTHER INFORMATION

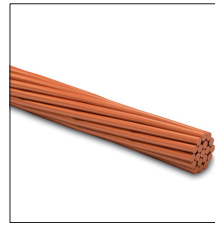
> RELATED PRODUCTS



AT-052D
30x2mm tin-plated
copper tape



AT-041H
ø5/8"x2m thrd 254µ Cu-
bond earth rod



AT-050D
50mm² copper cable