

DATASHEET

CATEGORY: 254µm copperbond earth rods
 NAME: **ø5/8"x2m thrd 254µ Cu-bond earth rod**
 REFERENCE: **AT-041H**

PRODUCT DESCRIPTION

ø5/8" x 2000 mm copper coated steel earth rod, electrolytically coated with 254 µm copper, with two 5/8" threads.



Copperbond earth rods of a high quality which comply with even the most demanding regulations in order to achieve long-lasting earthing.

Electrolytically coated with copper which is 254 µm thick and 99.9% pure, with a proven resistance to corrosion. This type of electrolytic coating prevents cracks or fissures, which may be caused in the outer layer of the earth rods with mechanical coating.

Using the appropriate accessories, threaded copperbond earth rods enable the electrode to extend in order to obtain better earth resistances.

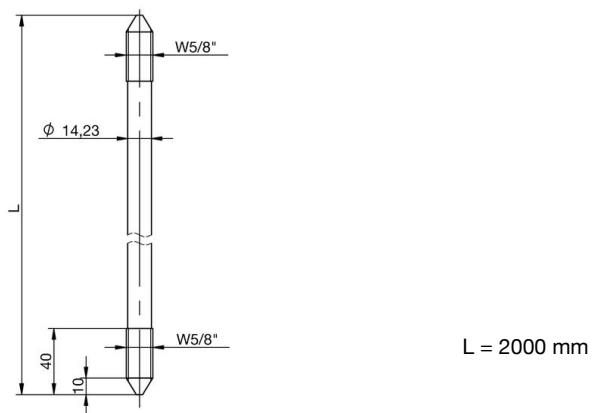
> Application



DATASHEET

Reference	AT-041H
Dimensions	$\phi 16 \times 2000$ mm
Shape	Two 5/8" threads
ϕ minimum	14.23 mm
Materials	Copperbond steel (254 μ m)
Weight	2500 g
Standards	Complies with BS 7430, UL 467, IEC 62305, NFPA 780, UNE 21186, NF C 17-102

> Diagram (mm)



INSTRUCTIONS

> INSTALLATION

The electrodes should be placed at a depth of at least 50 cm.

It is preferable to use several conductors conveniently spread out rather than one very long conductor. In the case of an earthing system made up of various interconnected electrodes, it is recommended that:

- The buried earth rods must be placed in a triangle or line and spaced out at a distance of at least that of their buried depth.
- The buried earth rods are connected by an identical or compatible conductor to the one used for the down-conductor.
- The conductor joining the earth rod should be buried at a depth of at least 50 cm.
- Apply the ground enhancing product CONDUCTIVER PLUS (AT-010L) to the buried electrodes in order to obtain a lower earth resistance.



OTHER INFORMATION

> ACCESSORIES

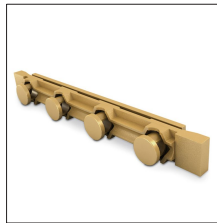


AT-002K
5/8" copper alloy
threaded coupling

> RELATED PRODUCTS



AT-010H
250x250x250mm
polypropylene earth pit



AT-020H
235x40x25mm bonding
bar for earth pit