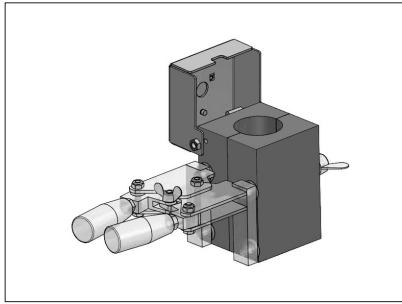


## DATASHEET

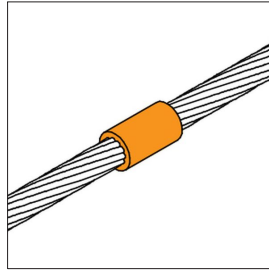
CATEGORY: APLIWELD specific mould  
 NAME: **Straight cable/cable mould**  
 REFERENCE: **C120/C120/LV**

### PRODUCT DESCRIPTION

Mould for 120 mm cable with 120 mm cable, straight connection.



> Union



## DATASHEET

Reference	C120/C120/LV
Length	80 mm
Width	80 mm
Height	115 mm
Diameter of the whole	D1 = 14.5 mm D2 = 14.5 mm
Weight	1445 g
Material/s	Graphite with electrogalvanised steel cover
Duration (nr. of weldings)	70
Conductor 1	120 mm cable
Conductor 2	120 mm cable
Tablets for Apliweld-T exothermic welding	AT-020N
Number of tablets per connection	2
Closing clamp	AT-049N
Starters for electronic ignition	AT-010N
Electronic starting device	AT-100N
Starting powder for manual ignition	AT-012N
Spark lighter for manual ignition	AT-060N

Basic accessories kit	AT-069N
Standards	Complies with UNE 21186, NF C 17-102, IEC 62305

> TESTS AND CERTIFICATIONS

UL Certificate according to UL 467 (E354045)

## INSTRUCTIONS

> SAFETY AND MAINTENANCE

Read carefully the particular product instructions supplied in all APLIWELD® products before its use.

All personnel that will carry out APLIWELD® exothermic welding should be duly trained in the correct usage of the product.

## OTHER INFORMATION

> ACCESSORIES



**AT-020N**  
Apliweld-T: Welding tablets (20u)



**AT-049N**  
Model S clamp for specific moulds



**AT-010N**  
Apliweld-E: Electronic starter(10ud)



**AT-069N**  
Basic tool set Apliweld-E



**AT-100N**  
Kit Apliweld-E: Ignition kit