

DATASHEET

CATEGORY: APLIWELD® clamps
 NAME: **Model S clamp for specific moulds**
 REFERENCE: **AT-049N**

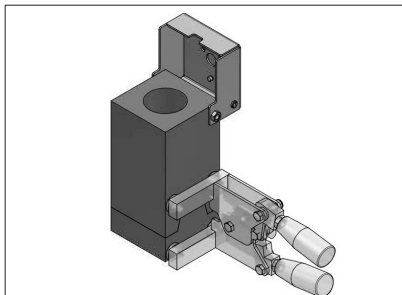
PRODUCT DESCRIPTION

Model S clamp for specific moulds.



This is the most common clamp, suitable for approximately 80% of connections.

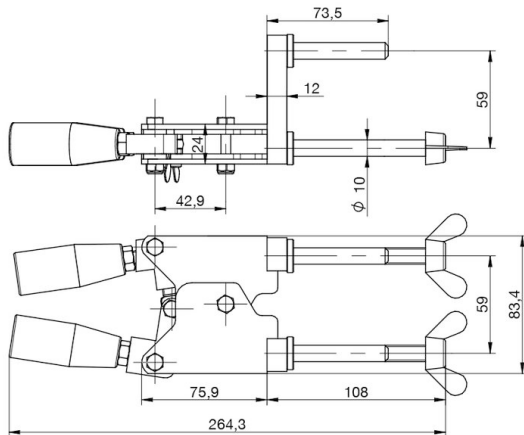
> Application



DATASHEET

Reference	AT-049N
Dimensions	65 x 65 x 250 mm
Weight	1250 g
Service life	Approx. 250 welds

> Diagram (mm)



INSTRUCTIONS

> SAFETY AND MAINTENANCE

Read carefully the particular product instructions supplied in all Apliweld® products before its use.

All personnel that will carry out Apliweld exothermic welding should be duly trained in the correct usage of the product.

OTHER INFORMATION

> OTHER REFERENCES

AT-050N: Model G clamp for specific moulds

AT-051N: Vertical conductor moulds clamp

> RELATED PRODUCTS



AT-010N
Apliweld-E: Electronic starter (10ud)



AT-020N
Apliweld-T: Welding tablets (20u)



AT-100N
Kit Apliweld-E: Ignition kit