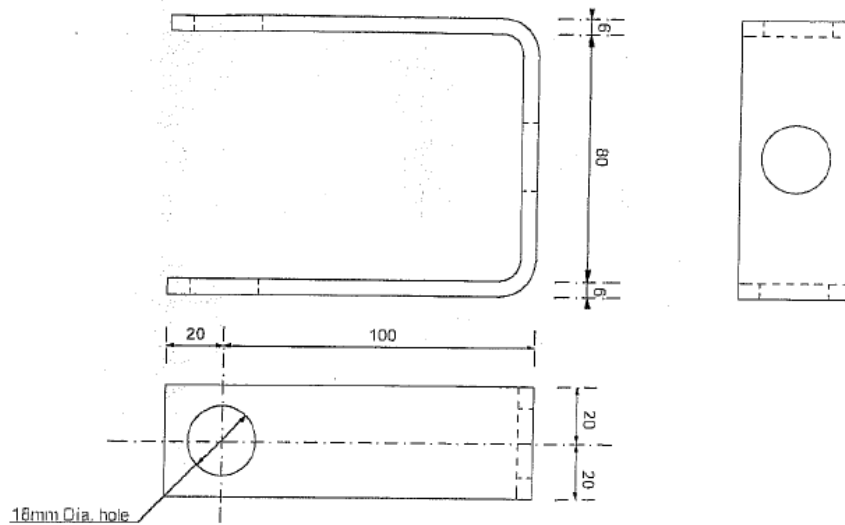


## Guaranteed Technical Particulars – D-Iron

<b>ANNEX A: Guaranteed Technical Particulars and Statement of Compliance</b>		
	<b>Description</b>	<b>Bidder's Offer</b>
1.	Manufacturer's name & country of manufacture	Metsec Cables Ltd, Kenya
2.	Type reference/ Model number of items offered (as per clause 6.4.(iii))	<b>Steelworks(D-Iron) for Overhead lines as per TSP/03/003 KPLC CODE 181202</b>
4.1	Environmental Conditions	The D-Iron shall be suitable for continuous use outdoors in the following tropical operating conditions;- altitudes of up to 2200m above sea level, humidity of up to 95%, average ambient temperature of +30°C with a minimum of -1°C and a maximum of +40°C, in direct sunlight, heavy saline conditions along the coast.
4.3.1	Contraction/Fabrication	All materials before and after fabrication shall be straight and free from twists. The material shall be free from blisters, scale and other defects.
4.3.2	Dimensions	All dimensions specified shall be subject to the following tolerances, unless otherwise stated -Dimensions up to and including 50mm: +/-1 mm -Dimensions greater than 50mm:+/-2 mm
4.3.4	Bolt holes	Bolt holes shall not be more than 2mm greater than the diameter of the bolt for bolts up to 24mm diameter
4.3.6	Hole Drilling	All holes shall be drilled in one operation and all burrs shall be removed. Holes shall not be formed by a gas cutting process. All matching holes for bolts shall register with each other so that a gauge 2mm less in diameter than the diameter of the bolt shall pass freely through the assembled members in a direction at right angle to such members.
4.3.7	Galvanizing	-All materials are galvanized and are of the full dimensions specified. All punching, cutting and the removal of burrs was completed before galvanization -All galvanization is hot dipped with spelter, not less than 98% of which is pure zinc in accordance with ISO 1461



## Drawing with Dimensions



**FIG. 1: D – IRON (LV Insulator Bracket): KPLC CODE 181201** (332mm x 40mm x 6mm mild steel, galvanized)

All of the above information, including drawings, illustrations and graphic designs, reflects our present understanding and is to the best of our knowledge and belief correct reliable. Users, however, should independently evaluate the suitability of each product for the desired application. Under no circumstances does this constitute an assurance any particular quality or performance. Such an assurance is only provided in the context of our product specifications or explicit contractual arrangements. Our liability for products set forth our standard terms and conditions of sale

