

## Guaranteed Technical Particulars - Horizontal Section Clamp

<b>ANNEX A: Guaranteed Technical Particulars and Statement of Compliance</b>		
	<b>Description</b>	<b>Bidder's Offer</b>
1.	Manufacturer's name & country of manufacture	Metsec Cables Ltd, Kenya
2.	Type reference/ Model number of items offered (as per clause 6.4.(iii))	<b>Horizontal Section Clamp as per TSP/02/004/01</b> <b>KPLC Codes</b> <b>186438</b> <b>186447</b> <b>186448</b> <b>186449</b>
3.	List of components to be supplied (for one installation)	The clamps will be provided with line bolts, rib bolts, c/w 2 no. nuts, of which shall be a locking nut, 1no. Flat washer, 1no. Spring washer
4.1	Service Conditions	The accessories shall be suitable for continuous operation outdoors in tropical areas at altitudes of up to 2200m above sea level, humidity of up to 95%, average ambient temperature of +30°C with a minimum of -1°C and a maximum of +40°C, in direct sunlight, heavy saline conditions along the coast and isokeraunic levels of up to 180 thunderstorms days per year
4.2.1	Structural grade of steel	The multipurpose pole clamp shall be fabricated from structural steel grade Q235 as specified in the BS 4360: "Specification for weldable structural steel" and be hot dipped to ISO 1461
4.2.2	Tensile strength of light and heavy duty multipurpose clamps	The tensile strength of the multipurpose pole clamp shall be not less than 70KN for light duty clamps and 120KN for the heavy duty clamps respectively.
4.3.1	Adaptation of clamps to both wooden and concrete poles	The multipurpose pole clamps shall be designed to adapt to circular concrete poles tapering diameters at 13mm per metre and wooden poles for attaching line accessories at various configurations.
4.3.3	Type of cutting and forging	The multipurpose pole clamps shall be designed with forged reinforcing stiffer (ribs) on their corners for extra strength. The cutting shall be by cold process (cutting and punching).

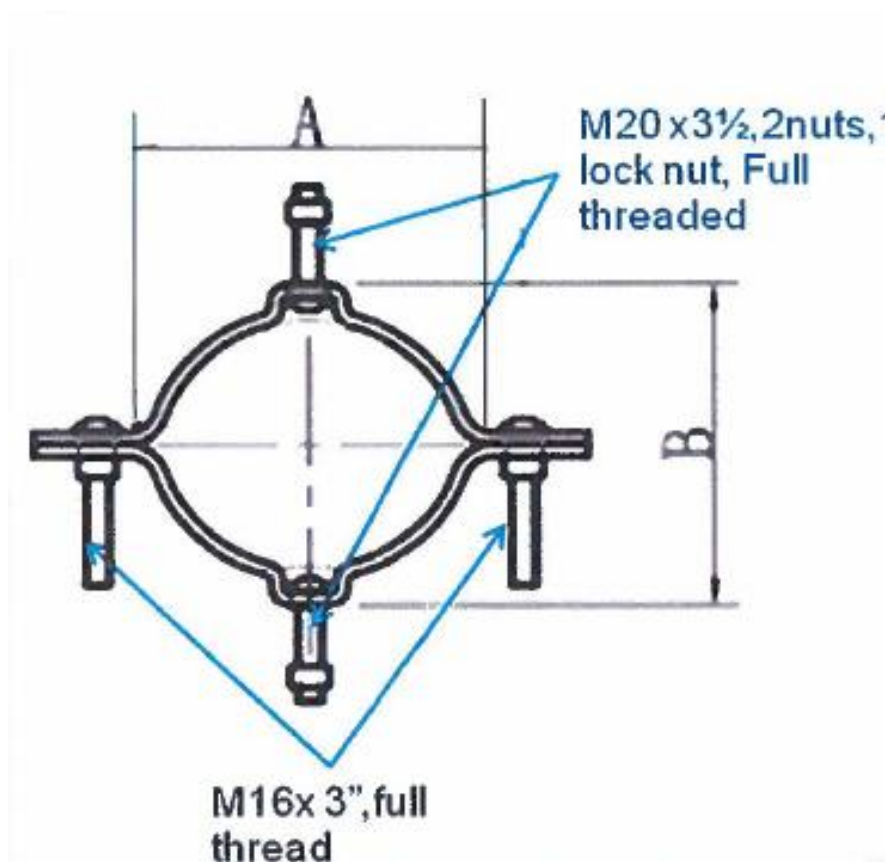


4.3.4	Bending and shaping	The bending and shaping shall be by hot forging. In case of cold bending, the materials after bending shall be stress relieved at min. temperature of 600°C and it shall be capable of being re-flattened without fracture.
4.3.5	Finished product (appearance)	All surfaces of the multipurpose pole clamps shall be smooth, free from blisters, sharp edges or any other irregularities which can injure personnel during assembly or installation
4.4.1	Compliance to dimensional and performance requirements	The multipurpose pole clamps shall conform to dimensional and performance requirements of Document No. KP1/3CB/TSP/02/004 – Specification for Multipurpose Overhead Line Clamps. The multipurpose pole clamps shall be specified on the basis of the dimensions specified in table 1 and 2 of the specification and drawings in fig. 1(TSP/01) to fig 3 (TSP/03)
4.4.4	Multipurpose clamps locking bolts sizes	The locking bolt size will be M20 x 3 ½” Full threaded and supplied with 2nn. Nuts, one of which shall be a locking nut, 1no. flat washer, and 1no. spring washer.
4.4.5	Size of line bolts and rib bolts	The rib bolt size will be M16 x 3” Full threaded and supplied with 1no. flat washer, and 1no. spring washer, and 1no. Locking Nut.
4.4.6	Dimensions of holes	The holes will be drilled with dimension ± 5% of the diameter of the bolts
4.4.7	Thickness of galvanization and compliance to ISO 1461	All components will be hot dipped galvanized to ISO 1461 with a min. zinc coating thickness of 80µm
5.5	Experience in manufacture of multipurpose clamps	3 Years



6.1	Design and fabrication drawings to KPLC for approval before manufacturing	Yes, design and fabrication drawings will be given to KPLC for approval before manufacturing.
6.4.1	Labeling and marking by engraving as per specifications	Each item will be engraved legibly and indelibly with the following information i) Manufacturer's Name ii) Month and Year of Manufacture iii) Type Reference No. iv) Mechanical Characteristics v) Size vi) Standard vii) Duty of the item (e.g. LD or HD)

### Drawing with Dimension



All of the above information, including drawings, illustrations and graphic designs, reflects our present understanding and is to the best of our knowledge and belief correct reliable. Users, however, should independently evaluate the suitability of each product for the desired application. Under no circumstances does this constitute an assurance any particular quality or performance. Such an assurance is only provided in the context of our product specifications or explicit contractual arrangements. Our liability for products set forth our standard terms and conditions of sale

