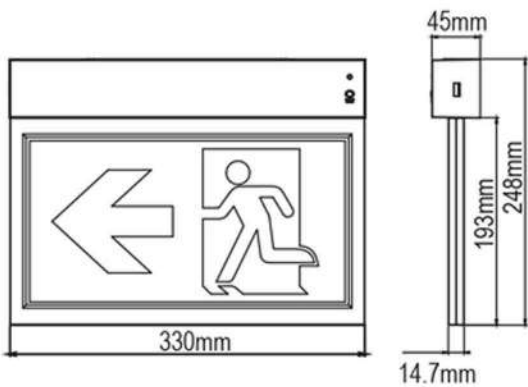




Exit Light

Dimension



Standard Feature

- Compact rectangular shape and decoration design
- ABS housing
- Quick connection and easy installation
- Single and Double face universal
- Replaceable pictogram design
- Bright SMD2835, CCT 6000K CRI<70
- Input voltage 220~240V 50Hz
- Central battery system (CBS) version available DC176-254V input 220-240VAC
- Ni-Cd or Ni-Mh battery
- Maintained / Non-Maintained 3 hours
- Ceiling / Wall mounted
- Viewing distance : 30M
- IP40, RoHS compliant
- Manual test.

Pictogram Insert



Article No	Model No	Lamp	Type	Face plate	Duration	Test	Power(W)	Battery
810.22.03.331	ESA10/3H/MT/CD	LED	Maintained / Non-Maintained	Universal	3 hours	Manual test	3.5W Max	Ni-Cd 3.6V, 900mAh



Applications:

- Commercial
- Residential
- Hotels
- Shopping Malls
- Airport Lounges