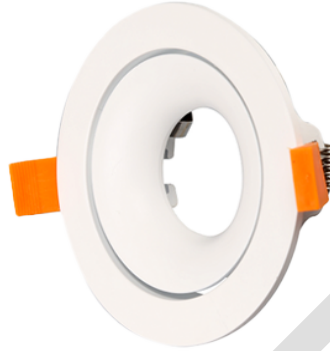


GU10 HOUSING IP20

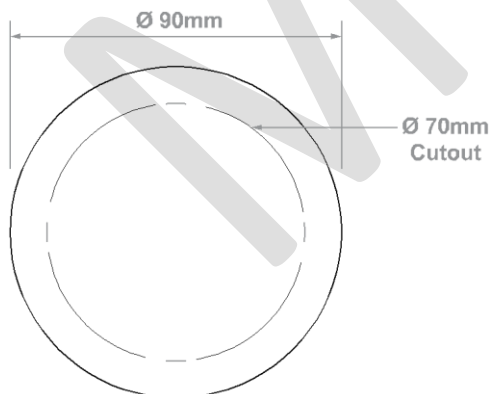


Input Power	LED-Modules	Colour Consistency	Installation Type	Material	Luminaire Colour
230 V	GU10 LED Compatible 50W (Max)	-	Recessed Mounted	Aluminium	○ Sand white (W)

FEATURES:

- Aluminium Alloy Body

DIMENSIONS:



All of the above information, including drawings, illustrations and graphic designs, reflects our present understanding and is to the best of our knowledge and belief correct reliable. Users, however, should independently evaluate the suitability of each product for the desired application. Under no circumstances does this constitute an assurance any particular quality or performance. Such an assurance is only provided in the context of our product specifications or explicit contractual arrangements. Our liability for products set forth our standard terms and conditions of sale

