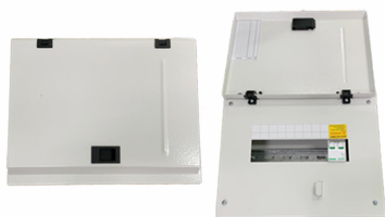


Acti 9

ACTI 9 CUDB

CONSUMER UNITS



CONSUMER UNIT FLUSH MOUNTED 100A ISOLATOR

Reference	Description	Current rating
A9ECU04F100	ACTI 9 CU FLUSH 4 WAY	100A
A9ECU06F100	ACTI 9 CU FLUSH 6 WAY	100A
A9ECU09F100	ACTI 9 CU FLUSH 9 WAY	100A
A9ECU12F100	ACTI 9 CU FLUSH 12 WAY	100A
A9ECU15F100	ACTI 9 CU FLUSH 15 WAY	100A

CONSUMER UNIT SURFACE MOUNTED 100A ISOLATOR

Reference	Description	Current rating
A9ECU04S100	ACTI 9 CU SURFACE 4 WAY	125A
A9ECU06S100	ACTI 9 CU SURFACE 6 WAY	125A
A9ECU09S100	ACTI 9 CU SURFACE 9 WAY	125A
A9ECU12S100	ACTI 9 CU SURFACE 12 WAY	125A
A9ECU15S100	ACTI 9 CU SURFACE 12 WAY	125A

Characteristics

Main characteristics

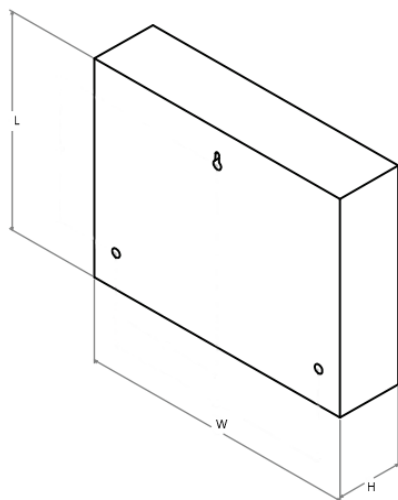
Compliance with standards	IEC 60439 / KEBS
Rated current (In)	100 A
Rated operational voltage (Ue)	240 V
Rated insulation voltage (Ui)	500 V
Insulation	Class 2

Additional characteristics

Degree of protection	IP20
Degree of pollution	2
Operating temperature	-5°C to +60°C
Storage temperature	-15°C to +70°C
Color	RAL 9001

Dimensions (mm)

Board Type	Length	Width	Height
4 Way	270	250	75
6 Way	270	250	75
9 Way	320	250	75
12 Way	375	250	75
15 Way	420	250	75



Weight (Kg)

Type	Acti9 Consumer Unit
4ways	3.0
6ways	3.0
9ways	3.4
12ways	3.88
15ways	4.32