



## Main

|  |  |
|--|--|
| Range of product                       | Easypact CVS100...250  |
| Product or component type              | Circuit breaker  |
| Device short name                      | CVS100B  |
| Device application                     | Distribution   |
| Poles description                      | 3P   |
| Protected poles description            | 3d   |
| Earth leakage protection (Vigi add on) | Without  |
| [In] rated current                     | 100 A at 40 °C   |
| Breaking capacity code                 | B  |
| Network type                           | AC   |
| [Icu] Breaking capacity                | 40 kA Icu at 220/240 V AC 50/60 Hz conforming to IEC 60947-2<br>25 kA Icu at 380/415 V AC 50/60 Hz conforming to IEC 60947-2<br>20 kA Icu at 440 V AC 50/60 Hz conforming to IEC 60947-2 |
| Utilisation category                   | Category A   |
| Trip unit name                         | TM-D   |
| Trip unit technology                   | Thermal-magnetic   |
| Trip unit rating                       | 100 A at 40 °C   |
| Protection type                        | Short-circuit protection (magnetic)<br>Overload protection (thermal)   |

## Complementary

|                   |           |
|-------------------|-----------|
| Network frequency | 50/60 Hz  |
| Control type      | Toggle    |
| Mounting mode     | Fixed     |
| Mounting support  | Backplate |
| Upside connection | Front     |

|  |  |
|--|--|
| Downside connection                      | Front  |
| Connections - terminals                  | Screw connection   |
| [Uimp] rated impulse withstand voltage   | 8 kV conforming to EN/IEC 60947-2  |
| Thermal protection adjustment range      | 70...100 A   |
| [Ics] rated service breaking capacity    | 15 kA at 440 V AC 50/60 Hz conforming to IEC 60947-2<br>25 kA at 380/415 V AC 50/60 Hz conforming to IEC 60947-2<br>40 kA at 220/240 V AC 50/60 Hz conforming to IEC 60947-2 |
| Mechanical durability                    | 30000 cycles   |
| Electrical durability                    | 12000 cycles 415 V In conforming to IEC 60947-2  |
| Connection pitch                         | 35 mm  |
| Contact position indicator               | Yes  |
| Long time pick-up adjustment type Ir     | Adjustable   |
| Long time pick-up adjustment range       | 0.7...1 x In   |
| Long time delay adjustment type          | Fixed  |
| Instantaneous pick-up adjustment type li | Fixed  |
| Instantaneous pick-up adjustment range   | 800 A  |
| Height                                   | 161 mm   |
| Width                                    | 105 mm   |
| Depth                                    | 86 mm  |
| Net weight                               | 1.8 kg   |

## Environment

|                                       |                             |
|---------------------------------------|-----------------------------|
| Electrical shock protection class     | Class II                    |
| Standards                             | EN 60947-2<br>IEC 60947-2   |
| Product certifications                | GOST<br>IEC                 |
| IP degree of protection               | IP40                        |
| Pollution degree                      | 3 conforming to IEC 60664-1 |
| Ambient air temperature for operation | -25...70 °C                 |
| Ambient air temperature for storage   | -50...85 °C                 |

## Packing Units

|                              |         |
|------------------------------|---------|
| Unit Type of Package 1       | PCE     |
| Number of Units in Package 1 | 1       |
| Package 1 Weight             | 1.67 kg |
| Package 1 Height             | 13.4 cm |
| Package 1 width              | 14 cm   |
| Package 1 Length             | 19 cm   |

## Offer Sustainability

|                            |   |
|----------------------------|---|
| Sustainable offer status   | Green Premium product   |
| RECh Regulation            | <a href="#">RECh Declaration</a>  |
| EU RoHS Directive          | Compliant<br><a href="#">EU RoHS Declaration</a>  |
| Mercury free               | Yes   |
| RoHS exemption information | <a href="#">Yes</a>   |
| China RoHS Regulation      | <a href="#">China RoHS declaration</a><br>Product out of China RoHS scope. Substance declaration for your information |
| Environmental Disclosure   | <a href="#">Product Environmental Profile</a>   |
| Circularity Profile        | <a href="#">End of Life Information</a>   |

---

|      |   |
|------|---|
| WEEE | The product must be disposed on European Union markets following specific waste collection and never end up in rubbish bins |
|------|---|

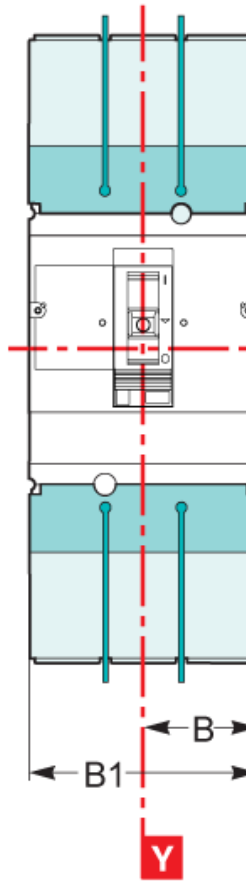
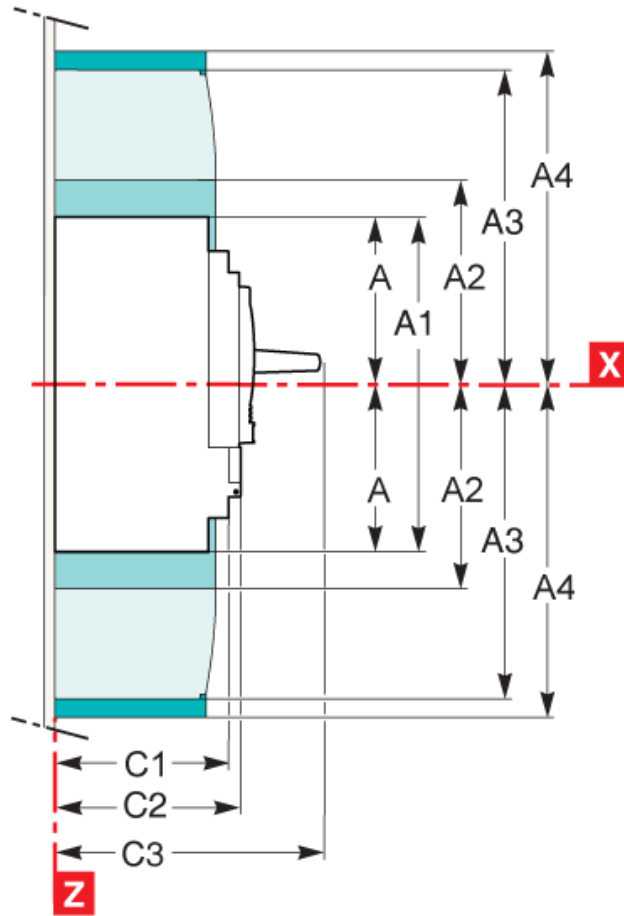
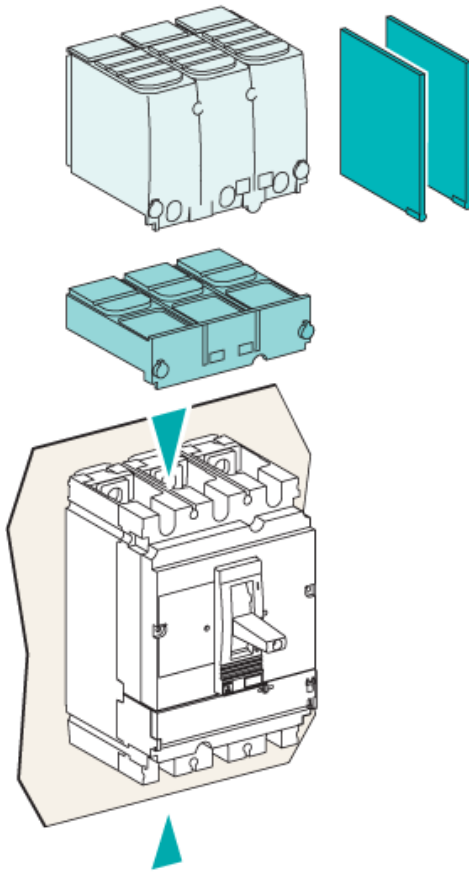
---

### Contractual warranty

---

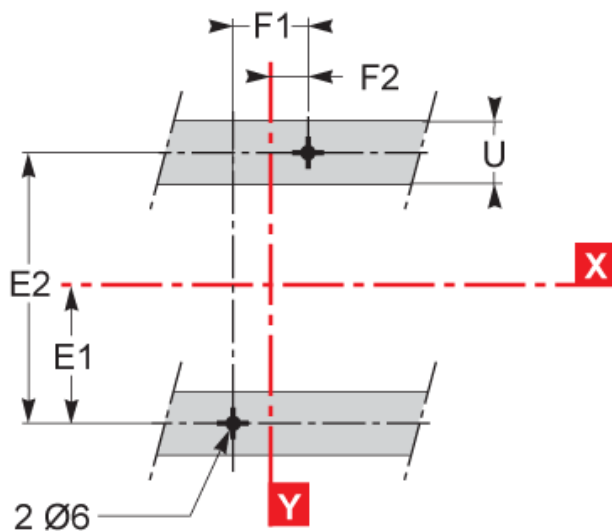
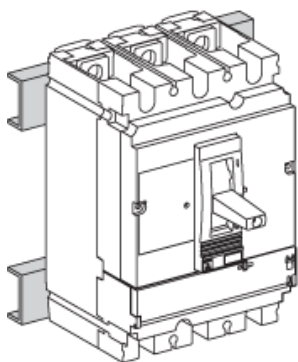
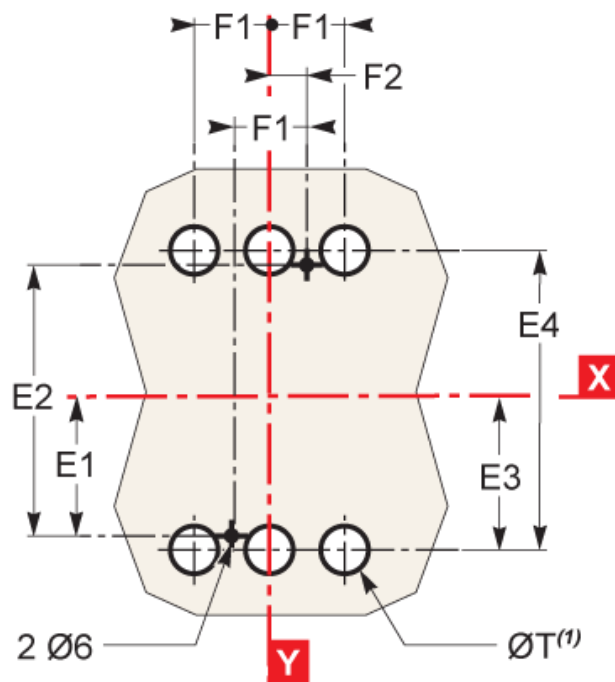
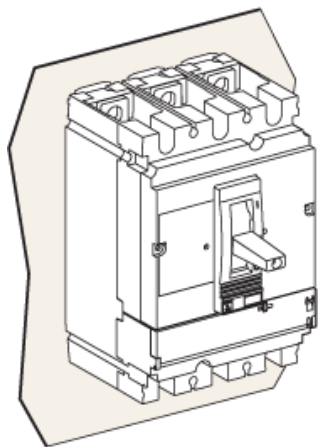
|          |           |
|----------|-----------|
| Warranty | 18 months |
|----------|-----------|

---



| Type          | A     | A1    | A2    | A3    | A4    | A5    | A6  | A7    | A8   | A9    | B    | B1  | B2   | C1   | C2   | C3               | E1   |
|---------------|-------|-------|-------|-------|-------|-------|-----|-------|------|-------|------|-----|------|------|------|------------------|------|
| CVS100I60/250 | 80.5  | 161   | 94    | 145   | 178.5 | 155.5 | 236 | 169   | 220  | 253.5 | 52.5 | 105 | 140  | 81   | 86   | 111 <sup>Ø</sup> | 62.5 |
| CVS400E30     | 127.5 | 255   | 142.5 | 200   | 237   | 227.5 | 355 | 242.5 | 300  | 337   | 70   | 140 | 185  | 95.5 | 110  | 168              | 100  |
| Type          | E2    | E3    | E4    | E5    | E6    | E7    | E8  | F1    | F2   | F3    | G1   | G2  | G3   | G4   | G5   | ØT               | U    |
| CVS100I60/250 | 125   | 70    | 140   | 137.5 | 200   | 145   | 215 | 35    | 17.5 | 70    | 96   | 75  | 13.5 | 23   | 17.5 | 24               | y 32 |
| CVS400E30     | 200   | 113.5 | 227   | 200   | 300   | 213.5 | 327 | 45    | 22.5 | 90    | -    | -   | -    | -    | -    | 32               | y 35 |

(Z) C3=126mm for EasyPact CVS250B.F.



| Type           | A     | A1    | A2    | A3    | A4    | A5    | A6  | A7    | A8   | A9    | B    | B1  | B2   | C1   | C2   | C3                 | E1   |
|----------------|-------|-------|-------|-------|-------|-------|-----|-------|------|-------|------|-----|------|------|------|--------------------|------|
| CVS100/160/250 | 80.5  | 101   | 84    | 145   | 178.5 | 155.5 | 236 | 109   | 220  | 253.5 | 52.5 | 105 | 140  | 81   | 86   | 111 <sup>(2)</sup> | 62.5 |
| CVS400/630     | 127.5 | 255   | 142.5 | 200   | 237   | 227.5 | 365 | 242.5 | 300  | 337   | 70   | 140 | 185  | 95.5 | 110  | 168                | 100  |
| Type           | E2    | E3    | E4    | E5    | E6    | E7    | E8  | F1    | F2   | F3    | G1   | G2  | G3   | G4   | G5   | ØT                 | U    |
| CVS100/160/250 | 125   | 70    | 140   | 137.5 | 200   | 145   | 215 | 35    | 17.5 | 70    | 95   | 75  | 13.5 | 23   | 17.5 | 24                 | y 32 |
| CVS400/630     | 200   | 113.5 | 227   | 200   | 300   | 213.5 | 327 | 45    | 22.5 | 90    | -    | -   | -    | -    | 32   | y 35               |      |

(2) C3=126mm for EasyPact CVS250B.F.

