

Easy9

EASY 9 CUBD CONSUMER UNITS



Reference	Description	Current rating
EZ9ECU04F100V2	04 WAY CU FLUSH	100A
EZ9ECU06F100V2	5 WAY CU FLUSH	100A
EZ9ECU09F100V2	6 WAY CU FLUSH	100A
EZ9ECU12F100V2	7 WAY CU FLUSH	100A
EZ9ECU15F100V2	8 WAY CU FLUSH	100A
EZ9ECU04S100V2	04 WAY CU SURFACE	100A
EZ9ECU06S100V2	06 WAY CU SURFACE	100A
EZ9ECU09S100V2	09 WAY CU SURFACE	100A
EZ9ECU12S100V2	12 WAY CU SURFACE	100A
EZ9ECU15S100V2	15 WAY CU SURFACE	100A

Characteristics

Main characteristics

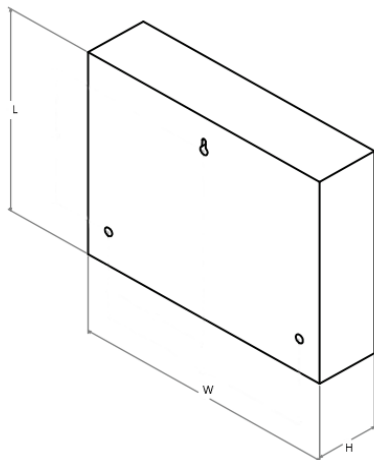
Compliance with standards	IEC 60439 / KEBS
Rated current (In)	100 A
Rated operational voltage (Ue)	240 V
Rated insulation voltage (Ui)	500 V
Insulation	Class 2

Additional characteristics

Degree of protection	IP20
Degree of pollution	2
Operating temperature	-5°C to +60°C
Storage temperature	-15°C to +70°C
Color	RAL 9001

Dimensions (mm)

Board Type	Length	Width	Height
4 Way	255	190	85
6 Way	285	250	85
9 Way	320	250	85
12 Way	390	250	85
15 Way	420	250	85



Weight (Kg)

Type	Easy9 Consumer Unit
4ways	2.12
6ways	2.74
9ways	3.06
12ways	3.54
15ways	3.9