



Main

Range of product	Harmony XALE
Product or component type	Empty control station
Device short name	XALE
Product destination	For XB7 Ø 22 mm control and signalling units
Number of cut-out	1 cut-out
Colour of base of enclosure	Light grey (RAL 7035)
Colour of cover	Yellow (RAL 1021)
Material	ABS (acrylonitrile butadiene-styrene)
Cable entry	2 knock-outs, clamping capacity: 16 mm 4 knock-outs for ISO M20
Sale per indivisible quantity	5
IP degree of protection	IP54 conforming to IEC 60529

Complementary

Assembly style	For customer assembly
Net weight	0.08 kg
Marking	CE

Environment

Protective treatment	TC
Ambient air temperature for storage	-40...70 °C
Ambient air temperature for operation	-25...55 °C
Electrical shock protection class	Class II conforming to IEC 60536
IK degree of protection	IK05 conforming to EN 50102
Standards	EN/IEC 62208 EN/IEC 60947-5-1 EN/IEC 60947-5-5

Packing Units

Package 1 Weight	0.074 kg
Package 1 Height	0.950 dm
Package 1 width	0.750 dm
Package 1 Length	1.150 dm

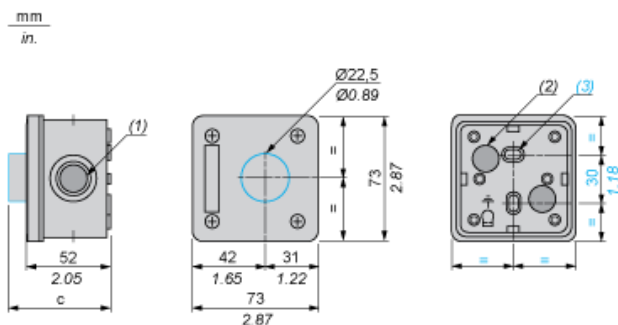
Offer Sustainability

Sustainable offer status	Green Premium product
REACH Regulation	REACH Declaration
REACH free of SVHC	Yes
EU RoHS Directive	Pro-active compliance (Product out of EU RoHS legal scope) EU RoHS Declaration
Toxic heavy metal free	Yes
Mercury free	Yes
RoHS exemption information	Yes
China RoHS Regulation	China RoHS declaration
Environmental Disclosure	Product Environmental Profile
Circularity Profile	End of Life Information

Contractual warranty

Warranty	18 months
----------	-----------

Dimensions



- (1) 4 ISO 20 knock-outs.
 (2) 2 knock-outs for cable entry, maximum capacity 16 mm / 0.63 in.
 (3) 2 knock-out elongated fixing holes \varnothing 3 mm x 5 mm / \varnothing 0.12 in. x 0.20 in.

Control station XALE fitted with:	c in mm	c in in.
Flush pushbutton	61	2.40
Projecting pushbutton	63	2.48
Illuminated pushbutton	66.5	2.62
Pilot light	63	2.48
Emergency stop without key	81.5	3.21
Selector switch with standard handle	76.5	3.01
Key switch	92	3.62