

SOLARLOK PV4-S CONNECTOR 1500V DC

The SOLARLOK PV4-S connector is an upgrade of the industry leading SOLARLOK PV4 connector to meet a minimum 1500V rating with IP68 protection. The SOLARLOK PV4-S connector has been tested to assure reliable and safe connections of solar arrays. The connectors use industry standard crimp tooling that is readily available and used by installers today.



Applications

- Solar panels
- Inverters
- Micro inverters
- DC optimizers

Electrical

- UL 15 A and TÜV 30 A: 2.5 mm² / 14 AWG (at 85 °C)
- UL 20 A and TÜV 40 A: 4.0 mm² / 12 AWG (at 85 °C)
- UL 30 A and TÜV 45 A: 6.0 mm² / 10 AWG (at 85 °C)
- Rated Voltage: 1000V DC / 1500V DC (UL)
1000V DC / 1500V DC (TUV/IEC)
- Contact Resistance: 0.35mΩ

Mechanical

- 63mm x 24.5mm (Male)
- 59.5mm x 18.7mm (Female)
- Protection Degree: IP68 (1m / 24 hours)

Specifications

- Product Specification: 108-137077
- Application Specification: 114-137077
- PV4-PV4-S Intermateability: 501-137294

Materials

- Housing: PPE & PS
- Contact: Tinned copper

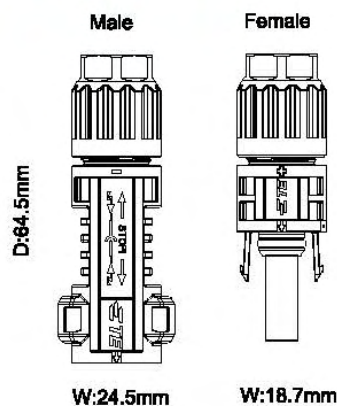
Standards

- 1000V DC / 1500V DC UL approved - UL6703
- 1000V DC / 1500V DC TUV approved - IEC62852

Benefits

- Provides waterproof protection and is rated IP68 (1 m / 24 hours)
- Minimizes power loss by providing low contact resistance

Dimensions



PV4-S Kits for 4mm² – 6mm² Contacts (AWG 12-10)

Part Number	Description
2270024-1	TE Solar PV4 Connector Male – 4mm ² – 6mm ²
2270025-1	TE Solar PV4 Connector Female – 4mm ² – 6mm ²

PV4-S Kits for 2.5mm² – Contacts (AWG 14)

Part Number	Description
2270024-3	PV4-S Connector Kit Pin-Male (with pin-contact) – 2.5mm ²
2270025-3	PV4-S Connector Kit Socket-Female (with socket-contact) – 2.5mm ²