

PLASTIC CABLE GLAND

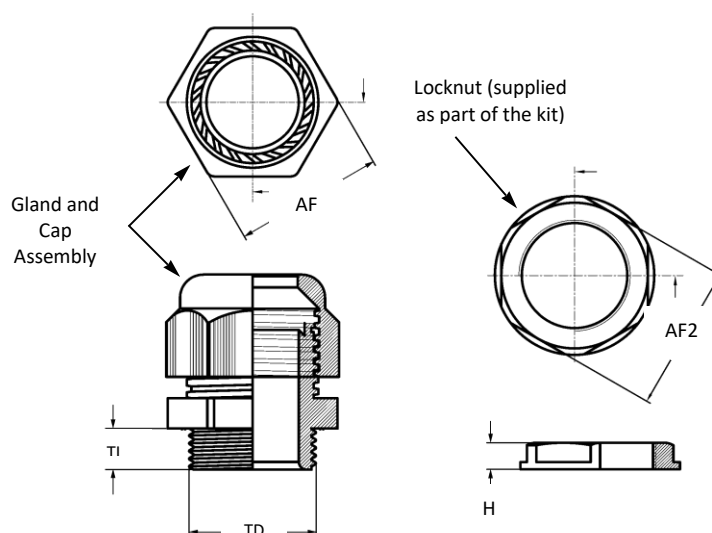


Application Areas

- Repair and Maintenance
- Machine Tool
- Panel Building
- Outside Plant
- Lighting
- Professional Equipment
- Electrical Junction Boxes
- Bulk Head Wiring
- Automotive
- Robotics
- General Wiring Applications etc.

Technical Features

- Anti vibration cap
- Each gland comes complete with locknut
- Zero Halogen polyamide 6
- Neoprene Seal
- Protection class to IP 68 / 5 bar
- Temperature range -30°C up to $+80^{\circ}\text{C}$ permanent
- Operating temperature up to $+150^{\circ}\text{C}$ intermittent
- VDE approved
- Colors available in: Black, Grey, Red, White



Size (mm)	Cable Range (mm)	Dimensions(mm)				
		Gland and Cap Assembly			Locknut	
		TD	TL	AF	H	AF2
M12	3.0-6.5	12.0	8.0	15.0	5.0	18.0
M16	5.0-10.0	16.0	10.0	22.0	5.0	22.0
M20	6.0-12.0	20.0	10.0	24.0	6.0	26.0
M20	10.0-14.0	20.0	10.0	27.0	6.0	26.0
M25	13.0-18.0	25.0	10.0	33.0	6.0	32.0
M32	18.0-25.0	32.0	18.0	42.0	7.0	41.0
M40	22.0-32.0	40.0	18.0	53.0	7.0	50.0
M50	30.0-38.0	50.0	18.0	60.0	8.0	60.0
M63	34.0-44.0	63.0	18.0	65.0	8.0	75.0

All of the above information, including drawings, illustrations and graphic designs, reflects our present understanding and is to the best of our knowledge and belief correct reliable. Users, however, should independently evaluate the suitability of each product for the desired application. Under no circumstances does this constitute an assurance any particular quality or performance. Such an assurance is only provided in the context of our product specifications or explicit contractual arrangements. Our liability for products set forth our standard terms and conditions of sale



Scan QR Code