

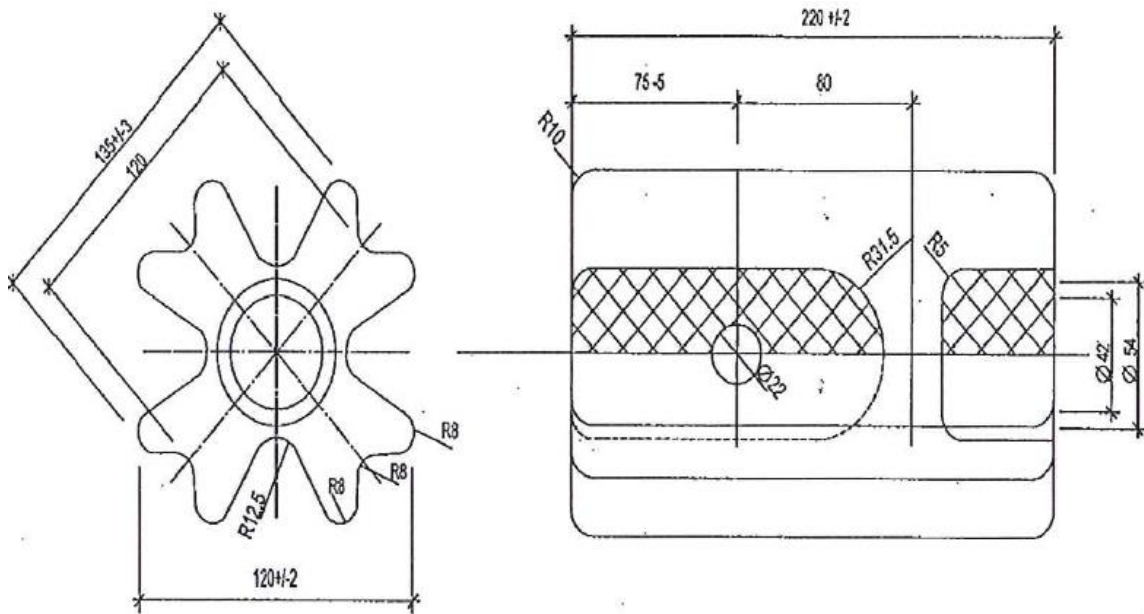
GTP for Stay Insulator (33kV)

Description	Bidder's Offer
1. Distributor's name and its address	Metsec Cables Ltd, P.O.Box 75963-00200, Nairobi, Kenya
2. Service Conditions	The insulators shall be suitable for continuous use outdoors in tropical areas at altitudes of up to 2200m above sea level, humidity of up to 90%, average ambient temperature of +30°C with a minimum of -1°C and a maximum of +40°C, in direct sunlight, heavy saline conditions along the coast and isokeraunic levels of up to 180 thunderstorm days per year.
3. Voltage Rating	33kV
4. Applicable Standard	BS 137
5. Material	The insulating material shall be porcelain. The porcelain shall be sound, thoroughly vitrified and free from defects and blemishes which might adversely affect the life of the insulator. The exposed parts of the porcelain shall be smoothly glazed and shall be brown in colour.
6. Design and construction	The insulator shall be strain type suitable for stay wire 19/3.55mm Grade 700 (19/10SWG), stay wire to BS 183.
7. Dimension <ul style="list-style-type: none"> • Height • Outer dia of insulator • Dia of though hole 	220+/-2mm 135+/-3mm 22mm
8. Min failing load of insulator kN	110kN
9. Min wet flashover voltage	48kV
10. Min impulse withstand voltage	100Kv



11. Lists of copy test reports submitted	
12. List of catalogue ,brochures, technical data, drawings, and customer and sales records submitted to support the tender	YES
13. Marking	Can be printed to customers' requirements
14. Copy of ISO9001:2008	Yes
15. Quality assurance plan	Yes
16. Deviations from tender specification	N/A

Dimensions:



All of the above information, including drawings, illustrations and graphic designs, reflects our present understanding and is to the best of our knowledge and belief correct reliable. Users, however, should independently evaluate the suitability of each product for the desired application. Under no circumstances does this constitute an assurance any particular quality or performance. Such an assurance is only provided in the context of our product specifications or explicit contractual arrangements. Our liability for products set forth our standard terms and conditions of sale

