

## ALUMINIUM ANGLE

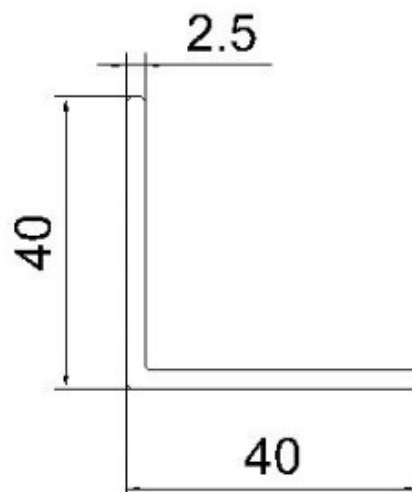


L feet have been widely used on universal corrugated metal roofing. It can fix to the roof rafter directly, applied with hanger bolts or fitted with designing roof clamps.

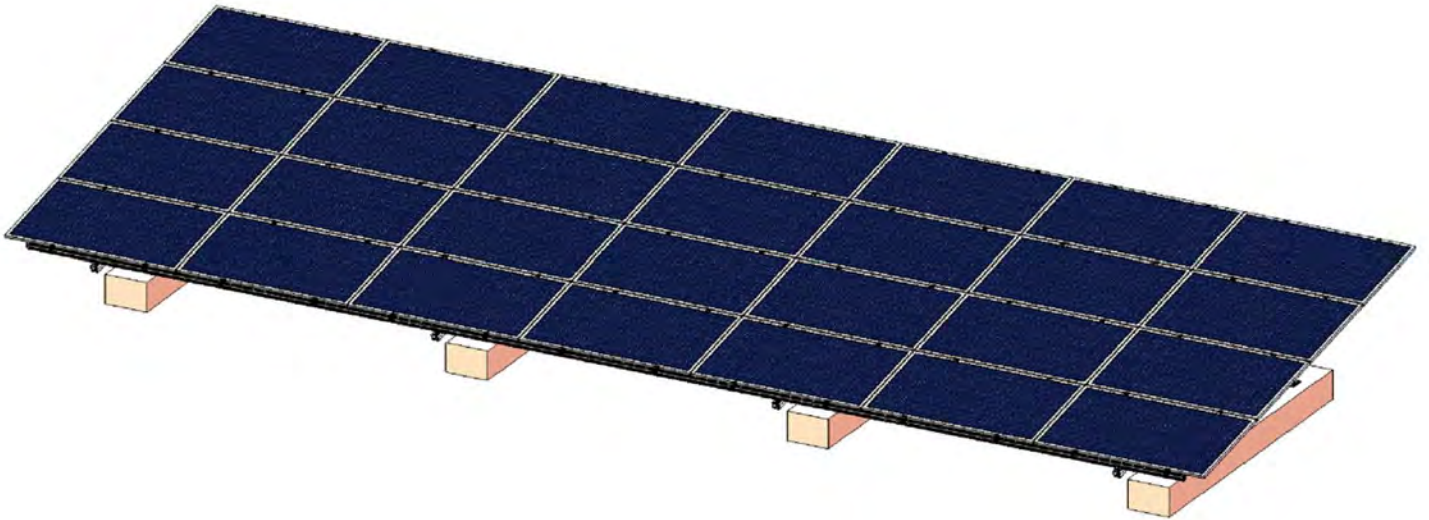
### Features:

1. Professional design.
2. Enable fast, simple and cost-effective installation.
3. Waterproof Silicone rubber integrated.
4. Fasteners and rail nut configured fully, to save installation time and purchasing extra parts.

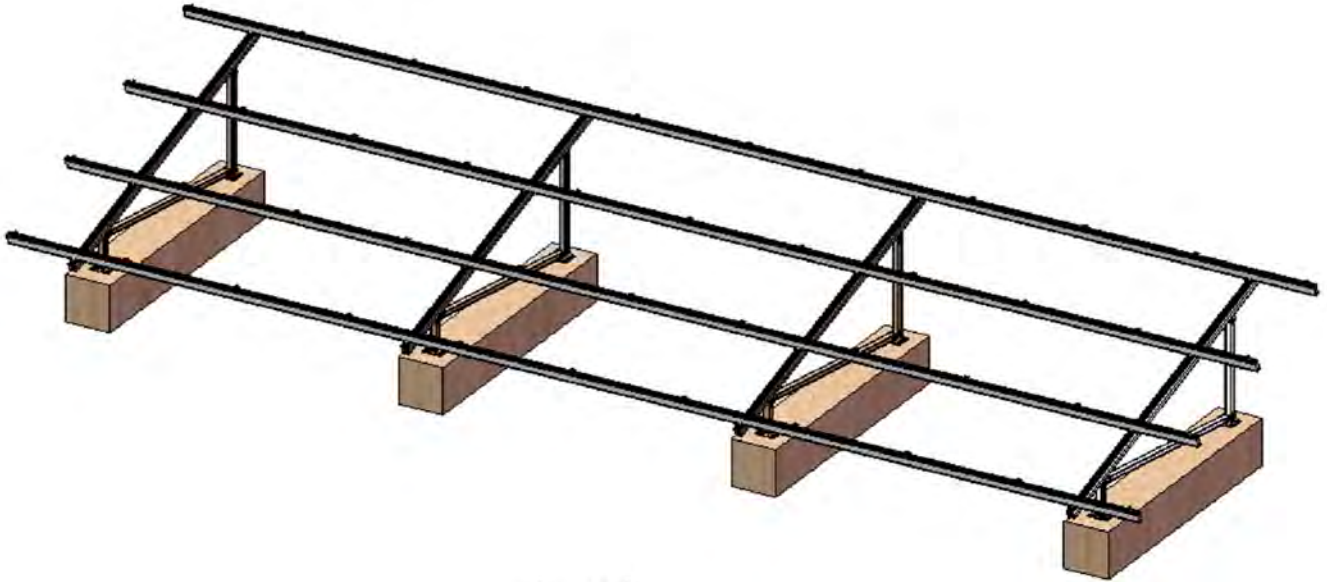
L Feet can be fixed to roof directly, or apply with hanger bolt & roof clamps.



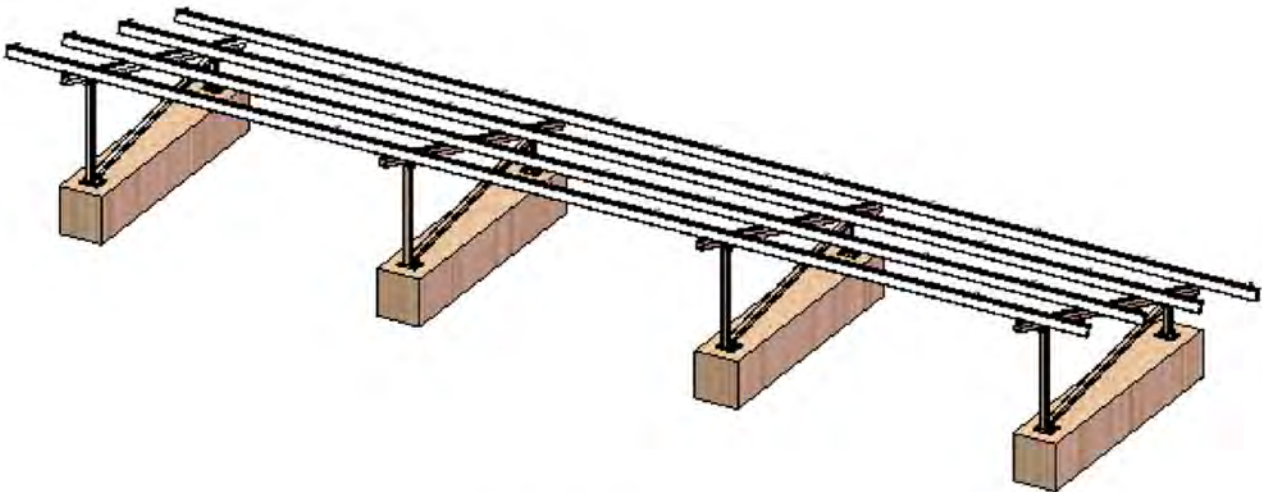
# Solar Ground Mounting Structure Installation Guide



## ST3F Overview



Front View



Back View

*All of the above information, including drawings, illustrations and graphic designs, reflects our present understanding and is to the best of our knowledge and belief correct reliable. Users, however, should independently evaluate the suitability of each product for the desired application. Under no circumstances does this constitute an assurance any particular quality or performance. Such an assurance is only provided in the context of our product specifications or explicit contractual arrangements. Our liability for products set forth our standard terms and conditions of sale*



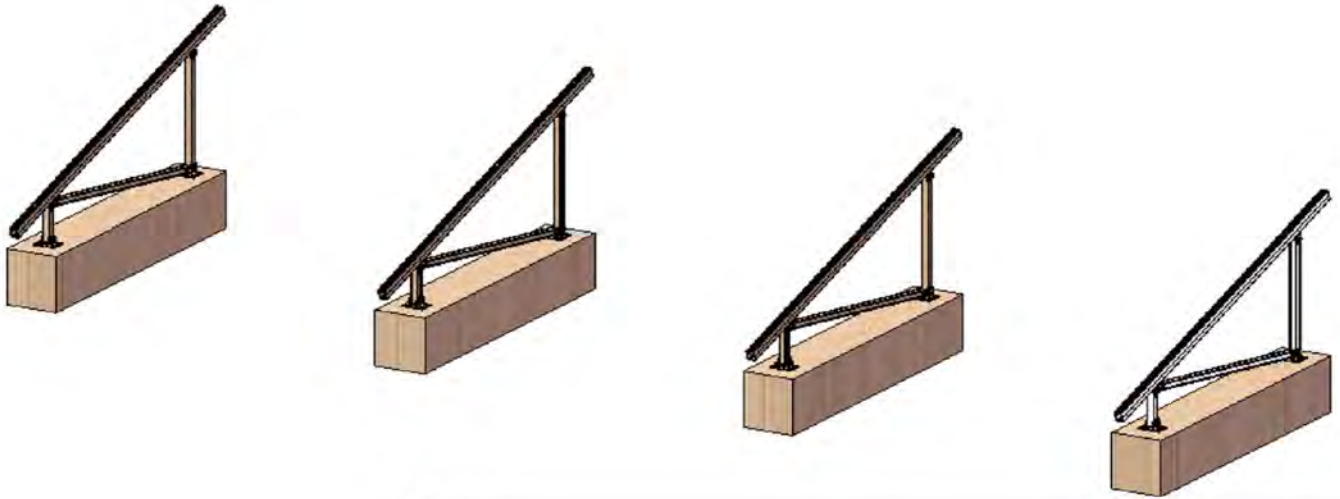
## Components Table

| Model Name | UI-R5  | UI-R5-SP  | UI-ST3F-FL/RL  |
|------------|--|---|--|
| Picture    | <br>     | <br>      | <br>     |
| Model Name | UI-CLAMP-F   | UI-EC   | UI-IC  |
| Picture    | <br>  | <br>  | <br>  |
| Model Name | UI-ST3F-LA   | UI-ST3F-FA  | UI-ST3F-RACK   |
| Picture    | <br> | <br> | <br> |

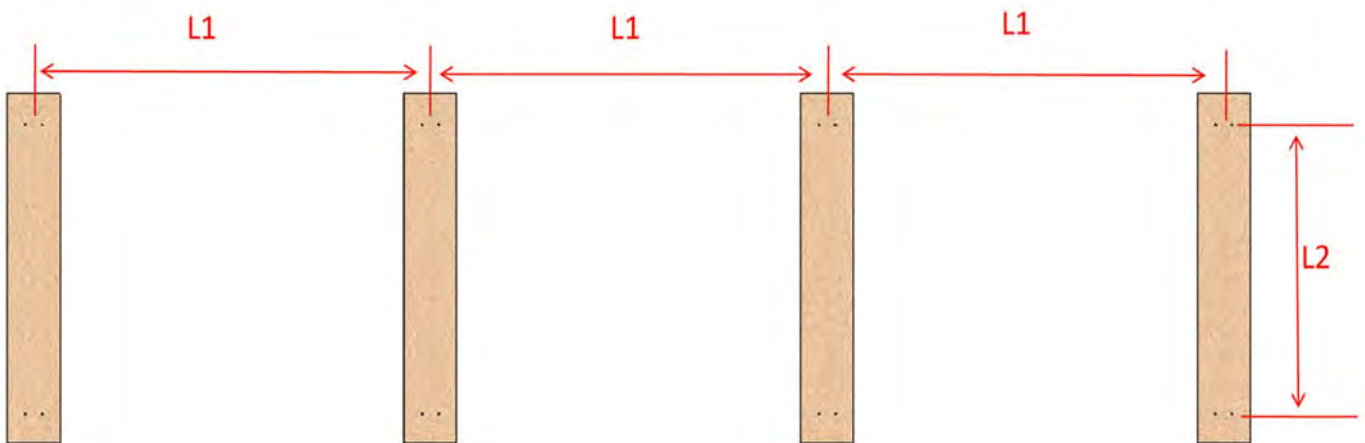
*All of the above information, including drawings, illustrations and graphic designs, reflects our present understanding and is to the best of our knowledge and belief correct reliable. Users, however, should independently evaluate the suitability of each product for the desired application. Under no circumstances does this constitute an assurance any particular quality or performance. Such an assurance is only provided in the context of our product specifications or explicit contractual arrangements. Our liability for products set forth our standard terms and conditions of sale*



# 1. Installation steps



## 1.1. Layout concrete base according to technical drawing



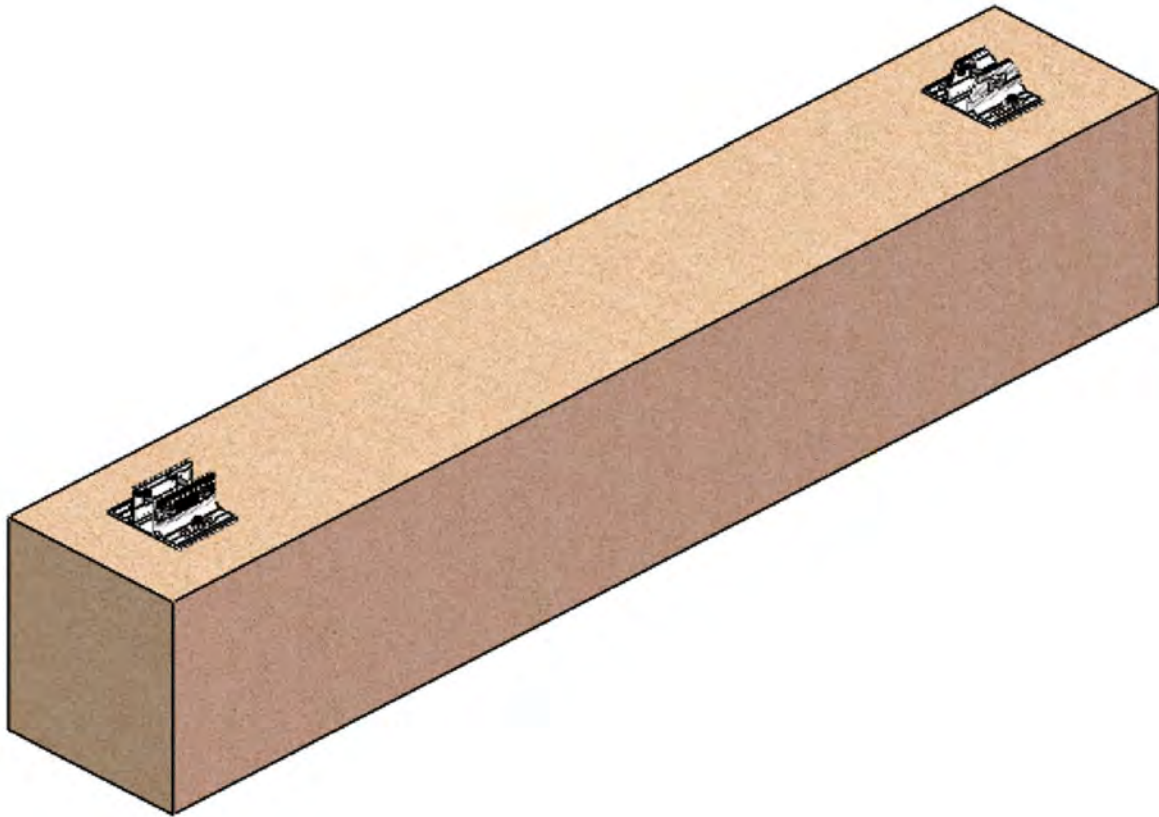
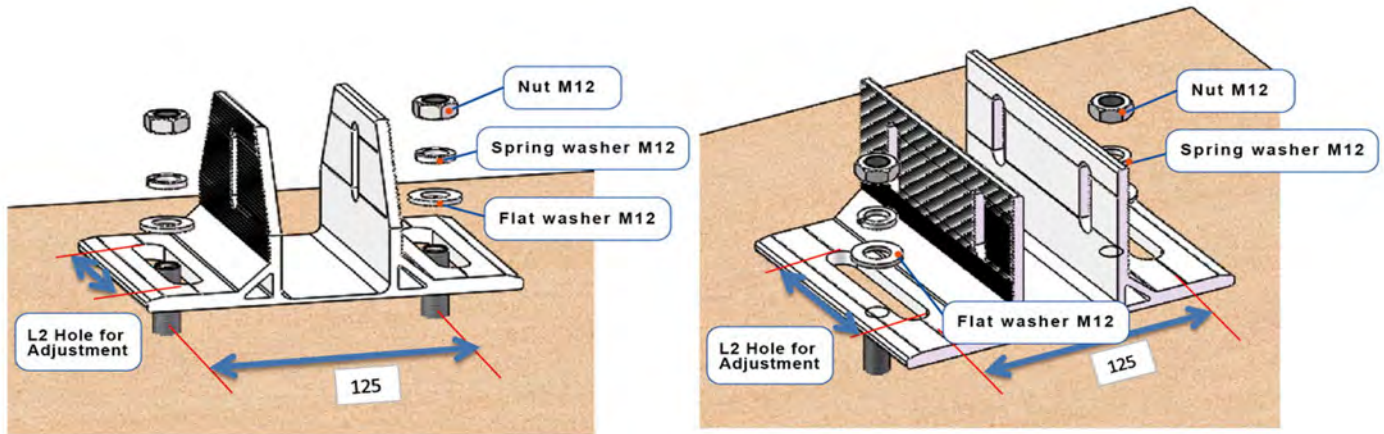
All of the above information, including drawings, illustrations and graphic designs, reflects our present understanding and is to the best of our knowledge and belief correct reliable. Users, however, should independently evaluate the suitability of each product for the desired application. Under no circumstances does this constitute an assurance any particular quality or performance. Such an assurance is only provided in the context of our product specifications or explicit contractual arrangements. Our liability for products set forth our standard terms and conditions of sale





## 1.2. Install Front and Rear Leg

**NOTE:-** The position can be adjusted according to hole L2.



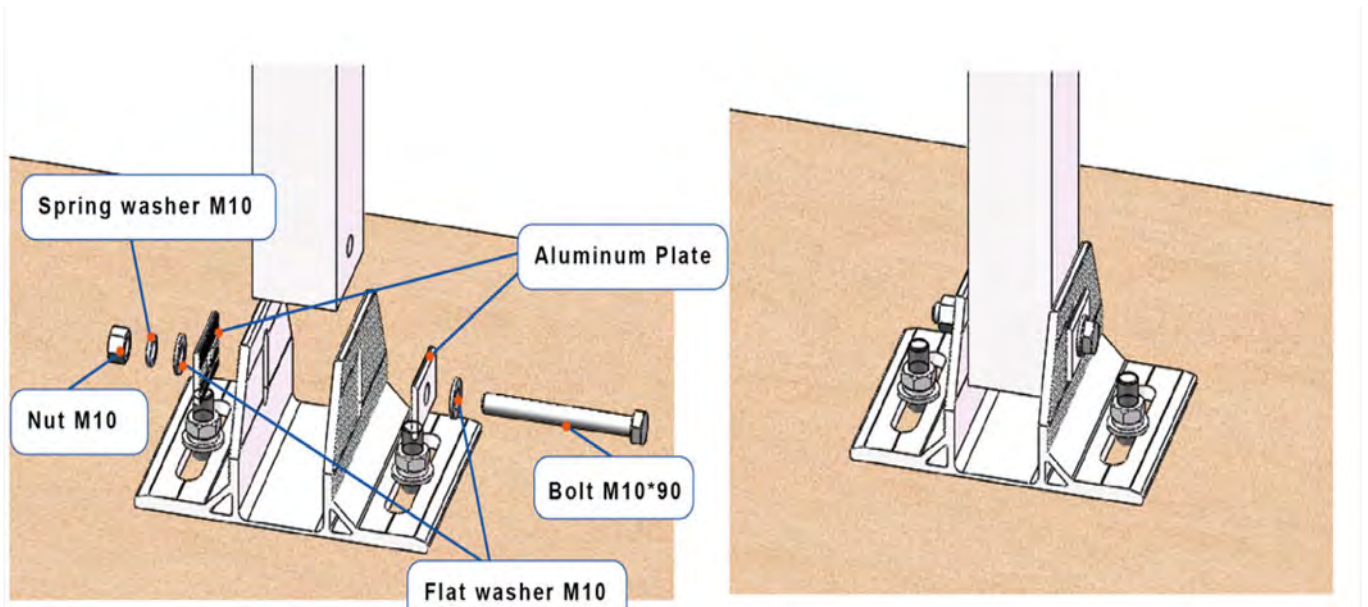
All of the above information, including drawings, illustrations and graphic designs, reflects our present understanding and is to the best of our knowledge and belief correct reliable. Users, however, should independently evaluate the suitability of each product for the desired application. Under no circumstances does this constitute an assurance any particular quality or performance. Such an assurance is only provided in the context of our product specifications or explicit contractual arrangements. Our liability for products set forth our standard terms and conditions of sale



## 1.3. Front Leg Installation

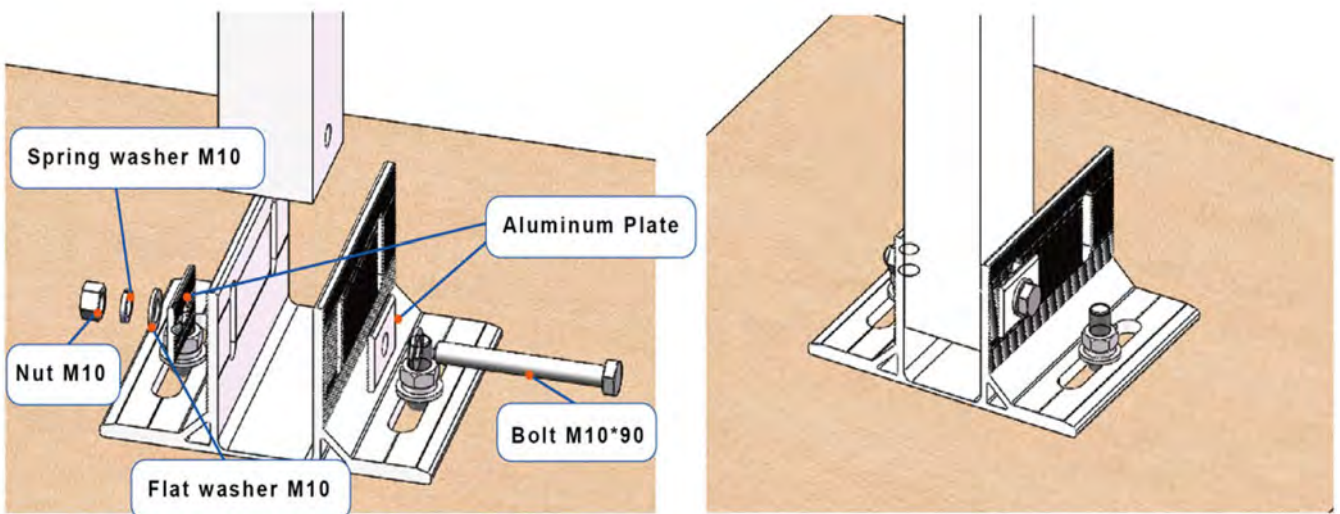
### 1.3.1: Front Leg Installation

**NOTE:-** Install the front leg on front base and fix it with bolts, but do not tighten it until the height adjustment finished in 1.3.4.



### 1.3.2: Rear Leg Installation

**NOTE:-** Install the rear leg on back base and fix it with bolts, but do not tighten it until the height adjustment finished in 1.3.4.



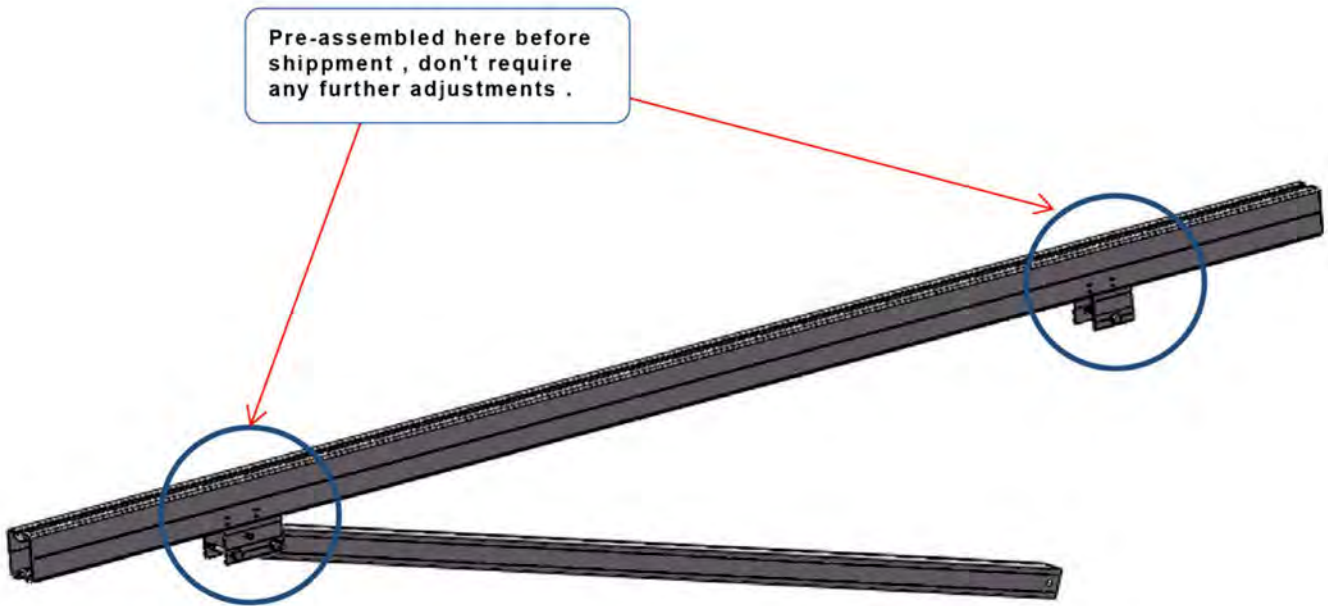
All of the above information, including drawings, illustrations and graphic designs, reflects our present understanding and is to the best of our knowledge and belief correct reliable. Users, however, should independently evaluate the suitability of each product for the desired application. Under no circumstances does this constitute an assurance any particular quality or performance. Such an assurance is only provided in the context of our product specifications or explicit contractual arrangements. Our liability for products set forth our standard terms and conditions of sale.



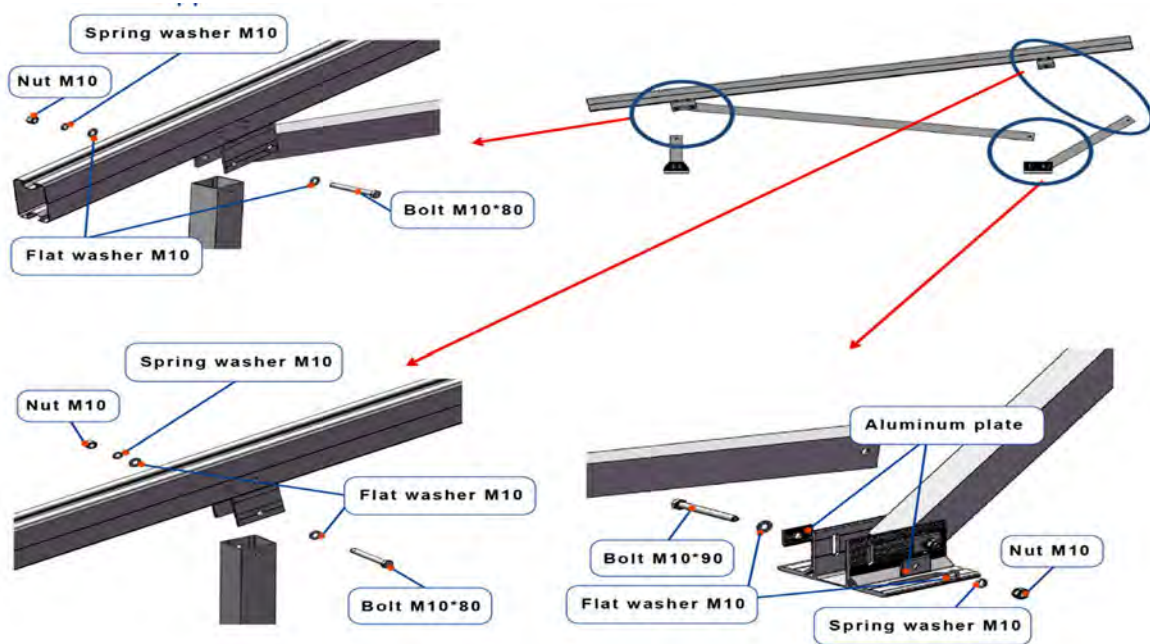


### 1.3.3: Support Rack Installation

**NOTE:-** Fix the support Rack to foot base and legs, but do not tighten the support rack and rear foot base until the height adjustment of 1.3.4 finished.



#### 1.3.3.1: Support Rack Installation



All of the above information, including drawings, illustrations and graphic designs, reflects our present understanding and is to the best of our knowledge and belief correct reliable. Users, however, should independently evaluate the suitability of each product for the desired application. Under no circumstances does this constitute an assurance any particular quality or performance. Such an assurance is only provided in the context of our product specifications or explicit contractual arrangements. Our liability for products set forth our standard terms and conditions of sale



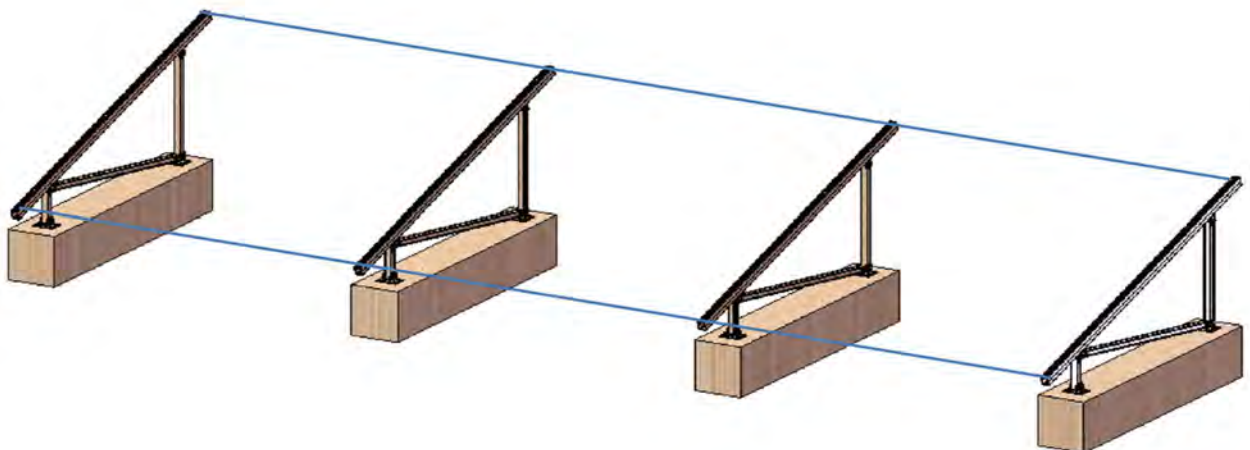


### 1.3.3.2: Support Rack installation finished



### 1.3.4: Do the adjustment to the support rack to meet the correct tilt angle

**NOTE:-** Do adjust to the support rack to make it meet the correct tilt angle and keep all the rack on the same level with the slot hole on foot base and then fix all the bolts tightly



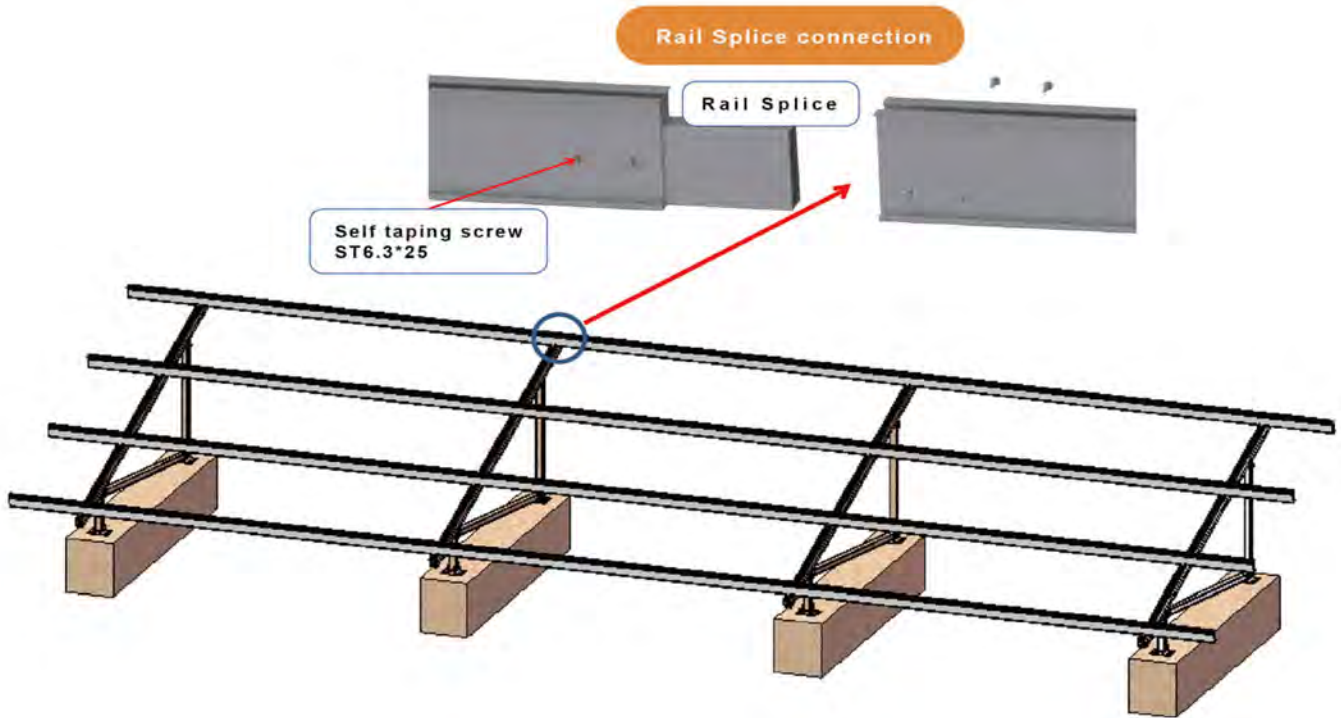
**NOTE:-** Step 1.3.3 and 1.3.4 should be done at the same time .

*All of the above information, including drawings, illustrations and graphic designs, reflects our present understanding and is to the best of our knowledge and belief correct reliable. Users, however, should independently evaluate the suitability of each product for the desired application. Under no circumstances does this constitute an assurance any particular quality or performance. Such an assurance is only provided in the context of our product specifications or explicit contractual arrangements. Our liability for products set forth our standard terms and conditions of sale*

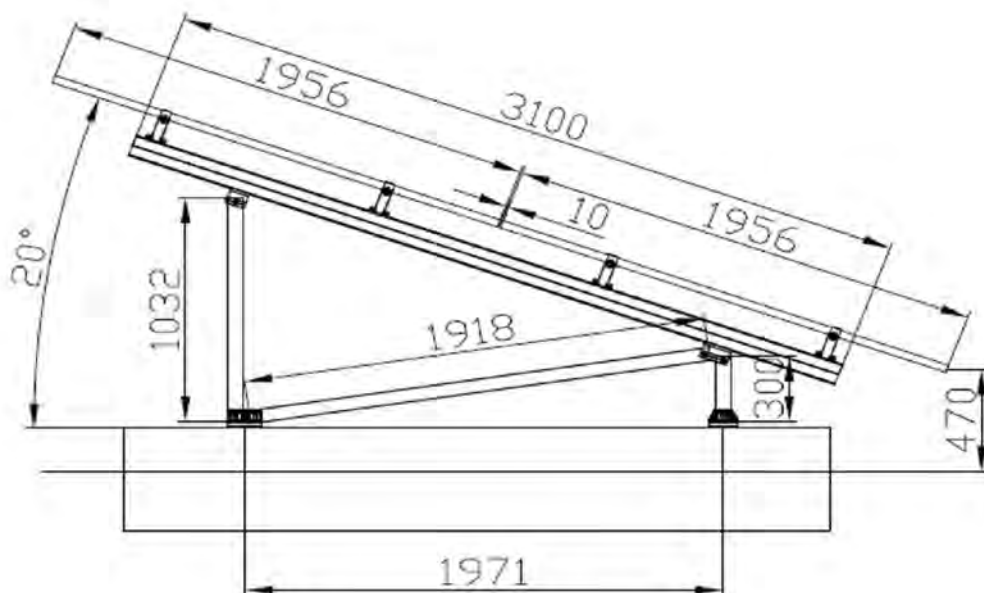


## 2. Rail Installation

Fix rails to the support rack by UI-Clamp



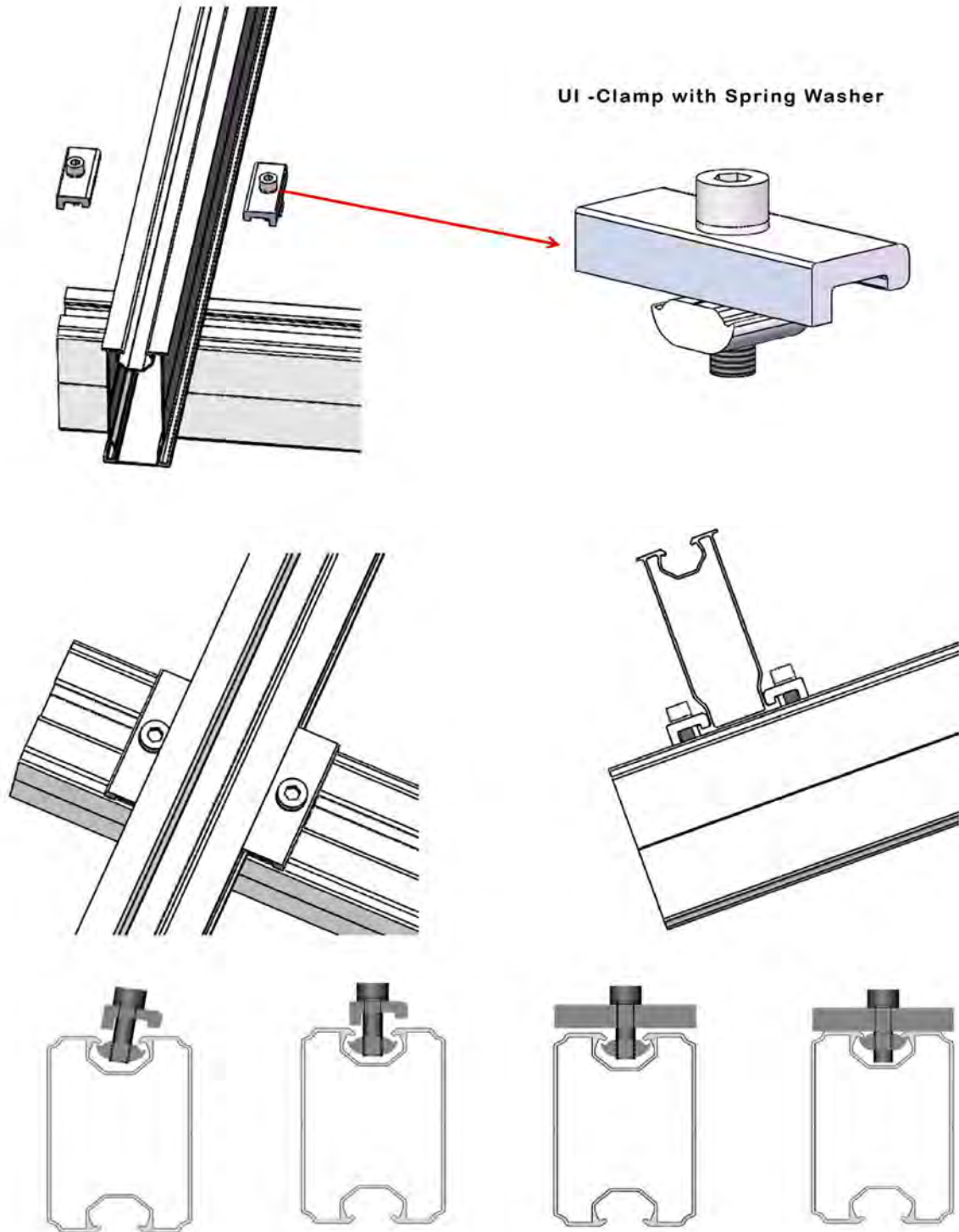
**NOTE:-** 2.1. Install rails from lower side to higher according to technical drawing. (Take 1956 x 990 solar panel forexample).



All of the above information, including drawings, illustrations and graphic designs, reflects our present understanding and is to the best of our knowledge and belief correct reliable. Users, however, should independently evaluate the suitability of each product for the desired application. Under no circumstances does this constitute an assurance any particular quality or performance. Such an assurance is only provided in the context of our product specifications or explicit contractual arrangements. Our liability for products set forth our standard terms and conditions of sale



## 2.2: UI - Clamp with Spring Washer.



*All of the above information, including drawings, illustrations and graphic designs, reflects our present understanding and is to the best of our knowledge and belief correct reliable. Users, however, should independently evaluate the suitability of each product for the desired application. Under no circumstances does this constitute an assurance any particular quality or performance. Such an assurance is only provided in the context of our product specifications or explicit contractual arrangements. Our liability for products set forth our standard terms and conditions of sale*

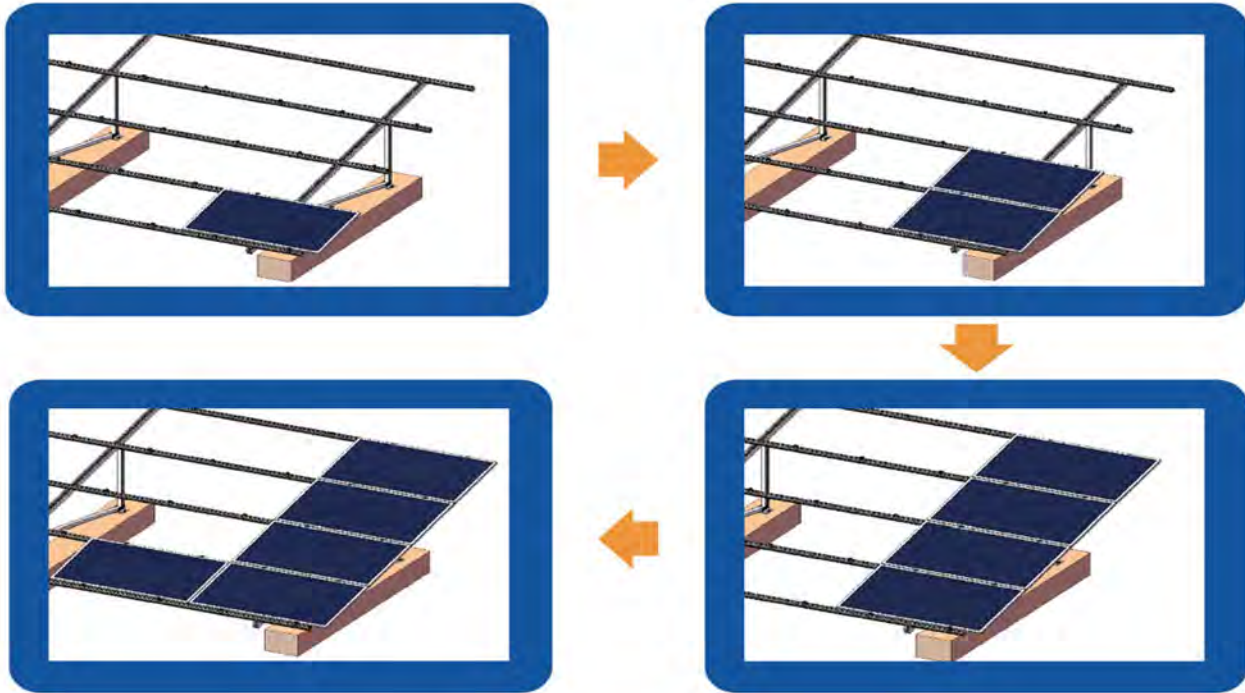




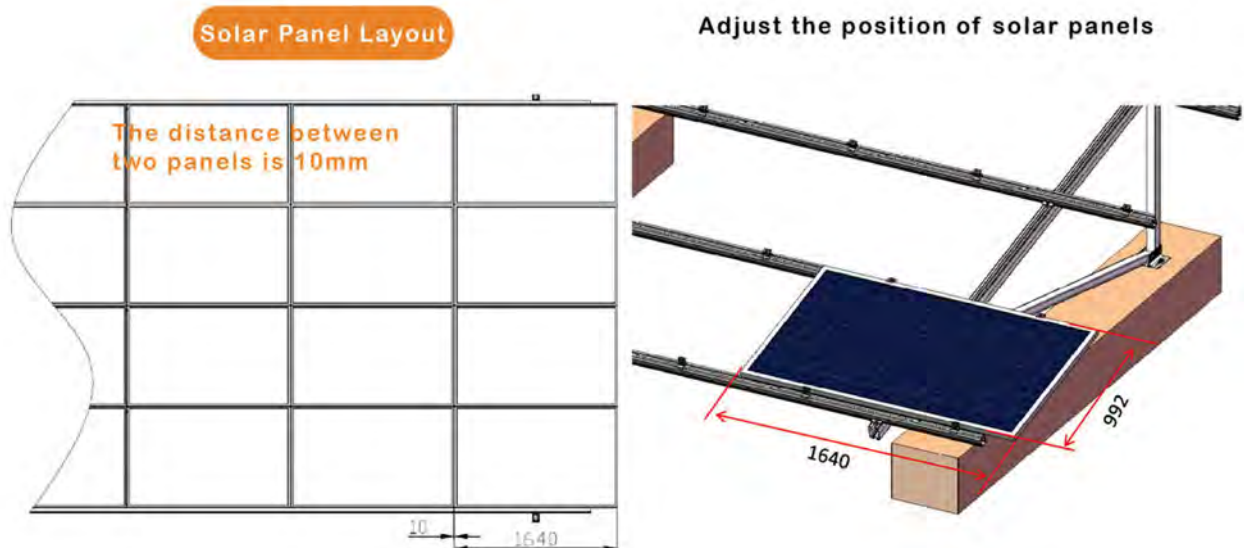
### 3. Solar Panel Installation

#### 3.1: Solar Panel Layout

**NOTE:- 3.11 Install solar panel from lower side to higher.**



**NOTE:- 3.12 Solar panel layout according to following drawing. (Take 1640 x 992 solar panel for example)**

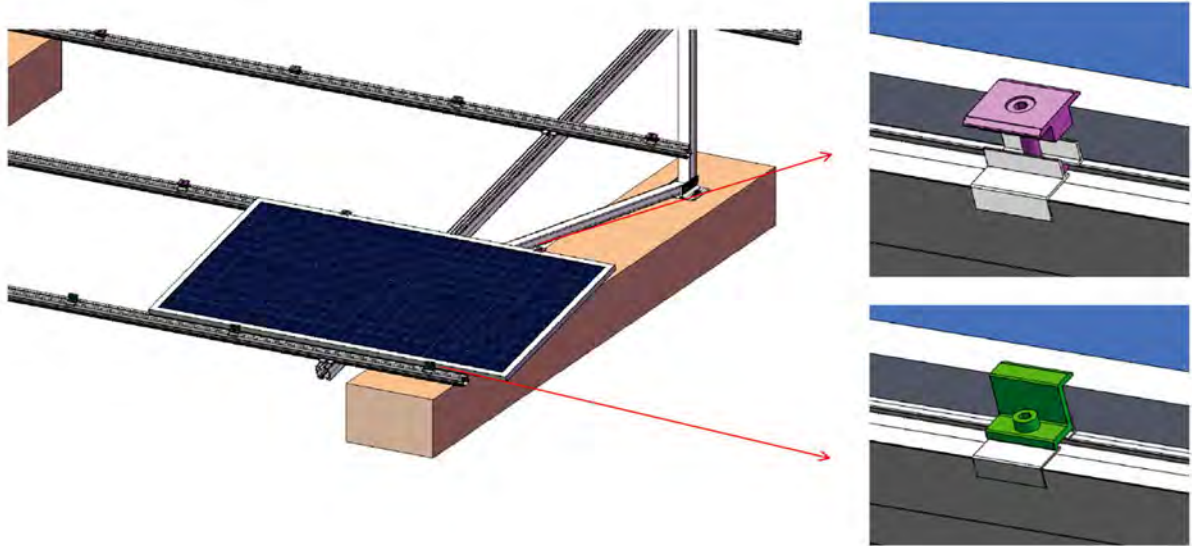


All of the above information, including drawings, illustrations and graphic designs, reflects our present understanding and is to the best of our knowledge and belief correct reliable. Users, however, should independently evaluate the suitability of each product for the desired application. Under no circumstances does this constitute an assurance any particular quality or performance. Such an assurance is only provided in the context of our product specifications or explicit contractual arrangements. Our liability for products set forth our standard terms and conditions of sale

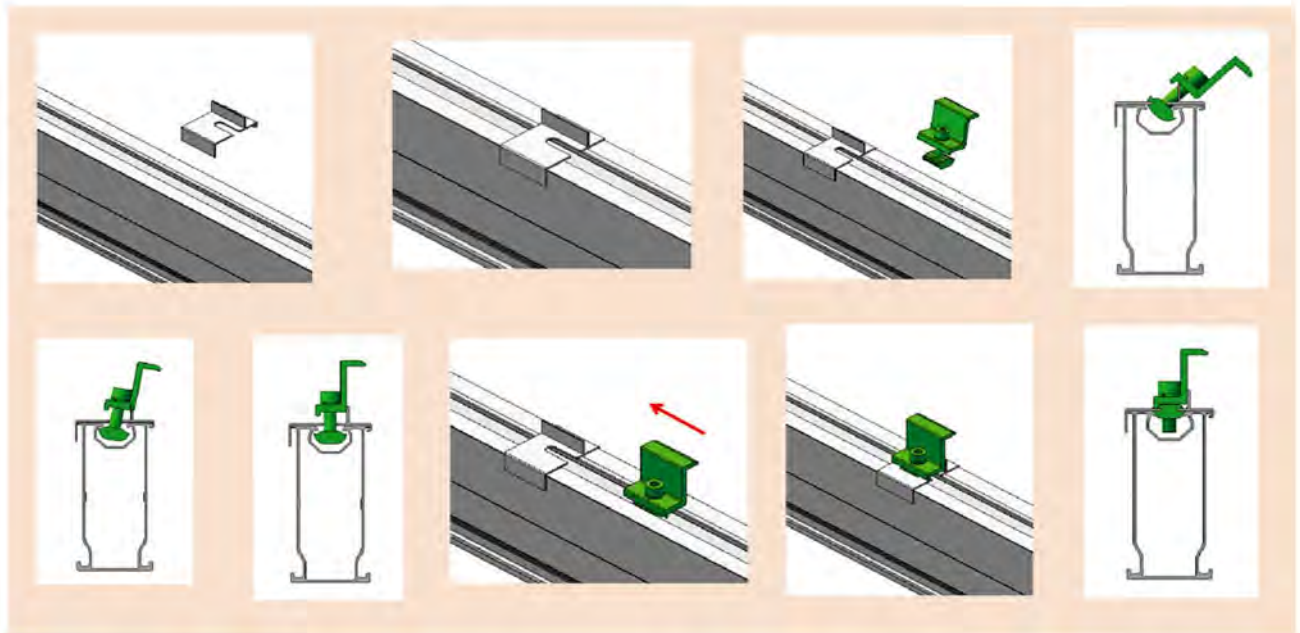


### 3.2: Clamp Installation

**NOTE:-** Install clamps according to above solar panel layout .



#### 3.2.1: End Clamp Details .

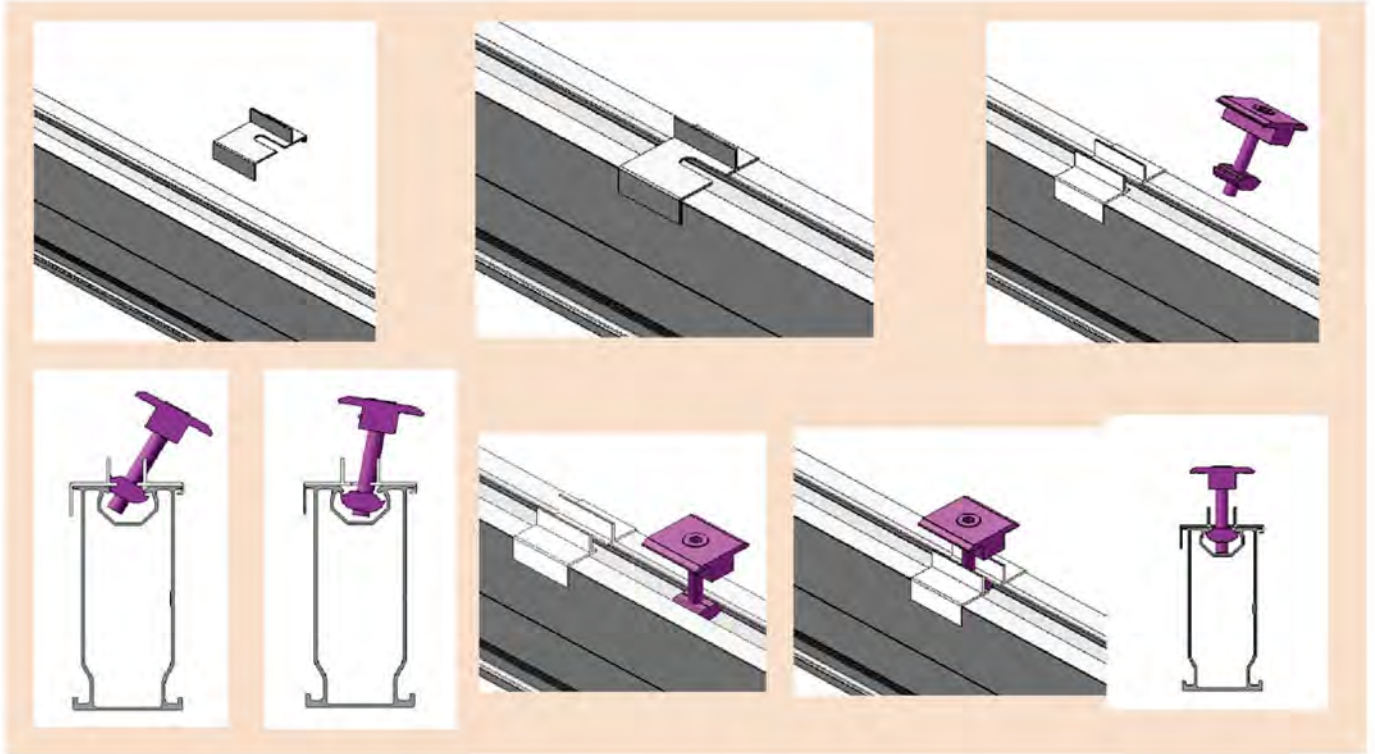


*All of the above information, including drawings, illustrations and graphic designs, reflects our present understanding and is to the best of our knowledge and belief correct reliable. Users, however, should independently evaluate the suitability of each product for the desired application. Under no circumstances does this constitute an assurance any particular quality or performance. Such an assurance is only provided in the context of our product specifications or explicit contractual arrangements. Our liability for products set forth our standard terms and conditions of sale*

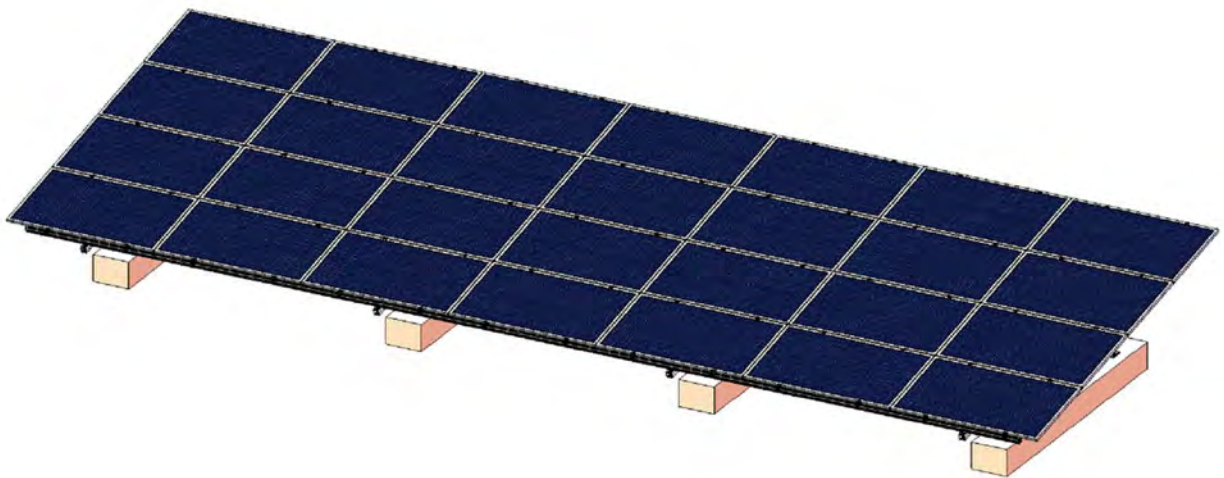




**NOTE:- 3.22: Mid Clamp Details .**



## 4. Installation Finished



*All of the above information, including drawings, illustrations and graphic designs, reflects our present understanding and is to the best of our knowledge and belief correct reliable. Users, however, should independently evaluate the suitability of each product for the desired application. Under no circumstances does this constitute an assurance any particular quality or performance. Such an assurance is only provided in the context of our product specifications or explicit contractual arrangements. Our liability for products set forth our standard terms and conditions of sale*

