

GROUND MOUNTING SUPPORT RACK-BEAM



Solar mounting rails adopt aluminium oxide. Aluminium rail can be widely used for roof solar mounting system and ground solar mounting system with the advantages of fast installation and save labour costs.

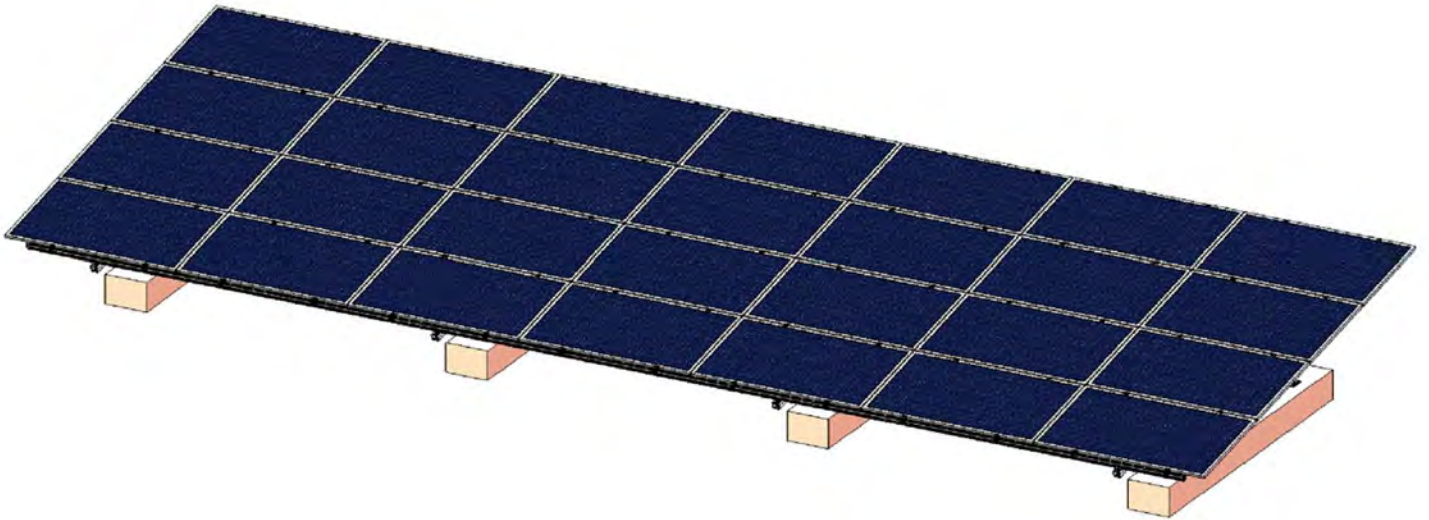
Features:

1. They are large, high strength, whose span can be enlarged.
2. High corrosion resistance, salt tolerant.
3. Lightweight, easy transportation and installation, safe construction.
4. It is durable.

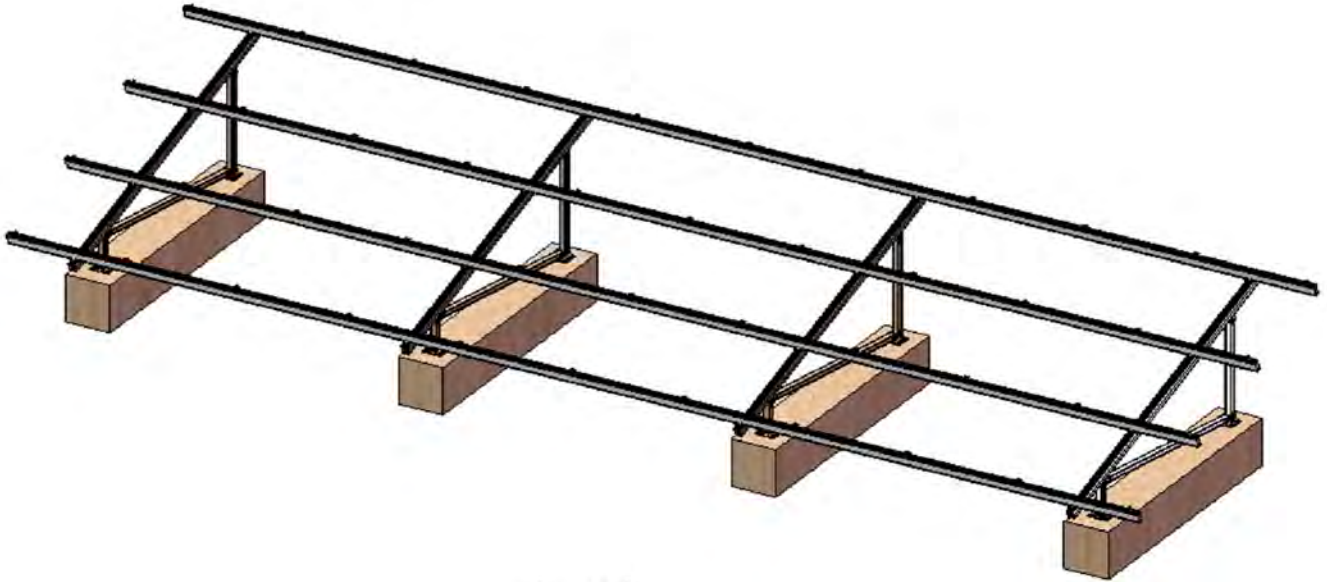
Material Specifications	
Material	Aluminum Alloy
Maximum Wind Load	60m/s
Snow Load	1.4kn/m2



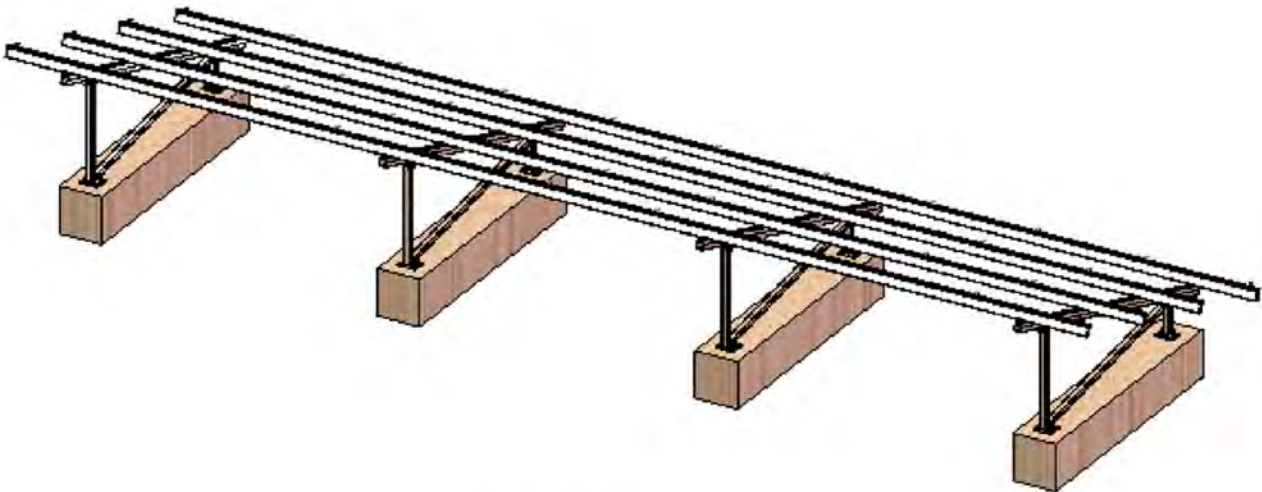
Solar Ground Mounting Structure Installation Guide



ST3F Overview



Front View



Back View

All of the above information, including drawings, illustrations and graphic designs, reflects our present understanding and is to the best of our knowledge and belief correct reliable. Users, however, should independently evaluate the suitability of each product for the desired application. Under no circumstances does this constitute an assurance any particular quality or performance. Such an assurance is only provided in the context of our product specifications or explicit contractual arrangements. Our liability for products set forth our standard terms and conditions of sale



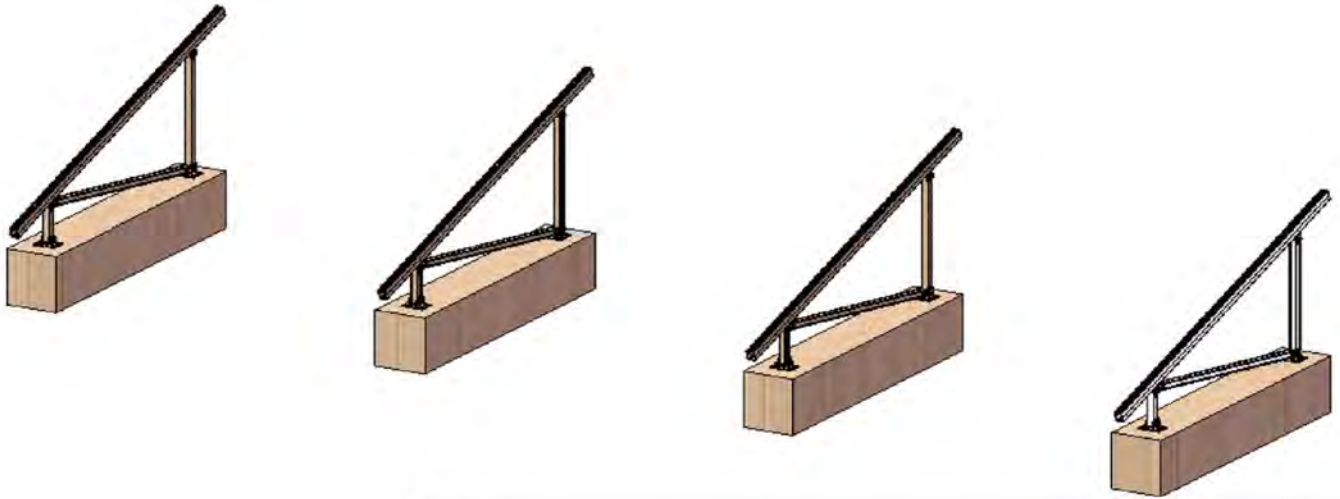
Components Table

Model Name	UI-R5	UI-R5-SP	UI-ST3F-FL/RL
Picture	 	 	 
Model Name	UI-CLAMP-F	UI-EC	UI-IC
Picture	 	 	 
Model Name	UI-ST3F-LA	UI-ST3F-FA	UI-ST3F-RACK
Picture	 	 	 

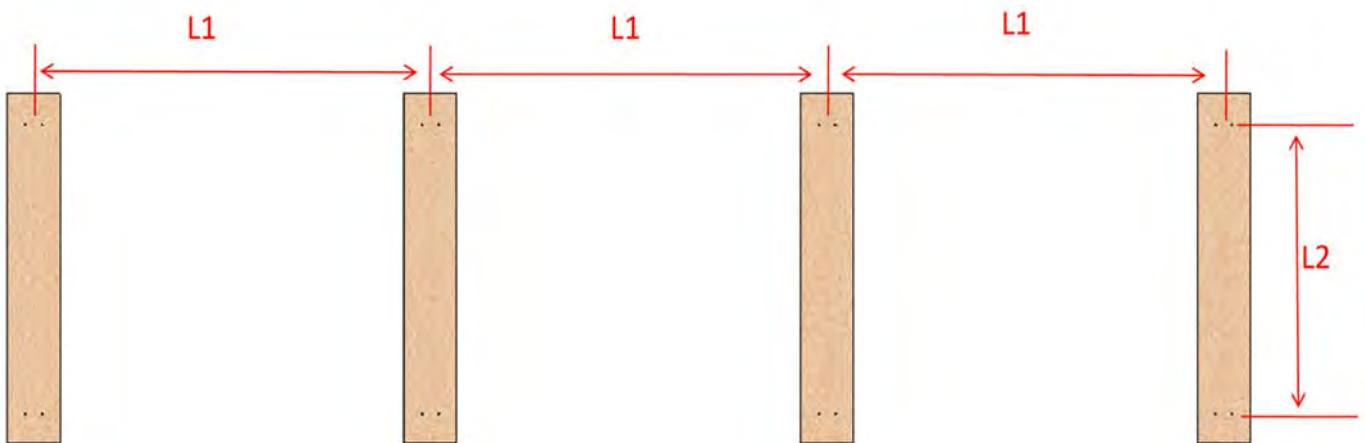
All of the above information, including drawings, illustrations and graphic designs, reflects our present understanding and is to the best of our knowledge and belief correct reliable. Users, however, should independently evaluate the suitability of each product for the desired application. Under no circumstances does this constitute an assurance any particular quality or performance. Such an assurance is only provided in the context of our product specifications or explicit contractual arrangements. Our liability for products set forth our standard terms and conditions of sale



1. Installation steps



1.1. Layout concrete base according to technical drawing

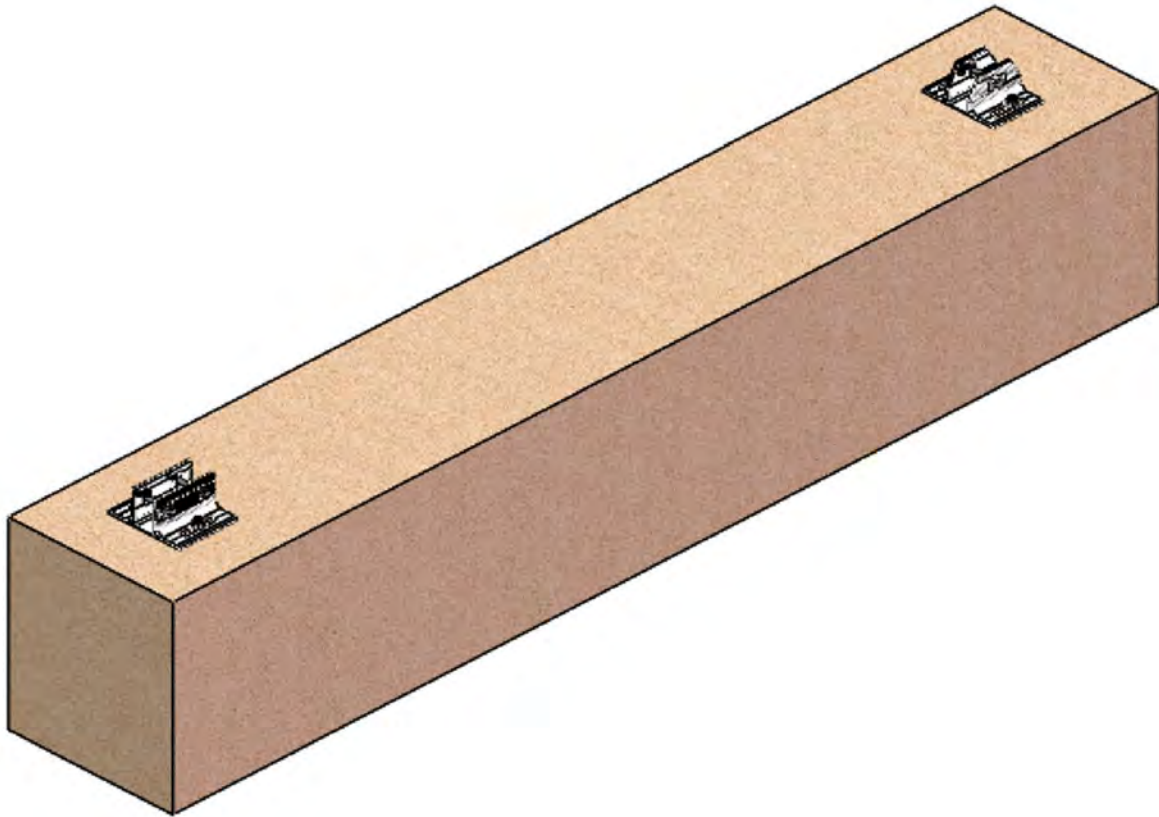
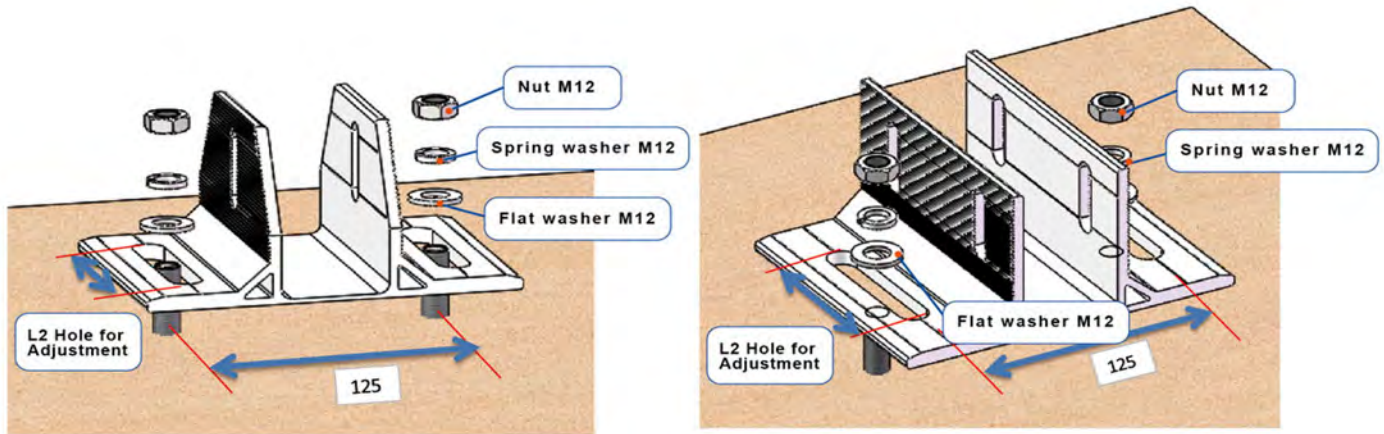


All of the above information, including drawings, illustrations and graphic designs, reflects our present understanding and is to the best of our knowledge and belief correct reliable. Users, however, should independently evaluate the suitability of each product for the desired application. Under no circumstances does this constitute an assurance any particular quality or performance. Such an assurance is only provided in the context of our product specifications or explicit contractual arrangements. Our liability for products set forth our standard terms and conditions of sale



1.2. Install Front and Rear Leg

NOTE:- The position can be adjusted according to hole L2.



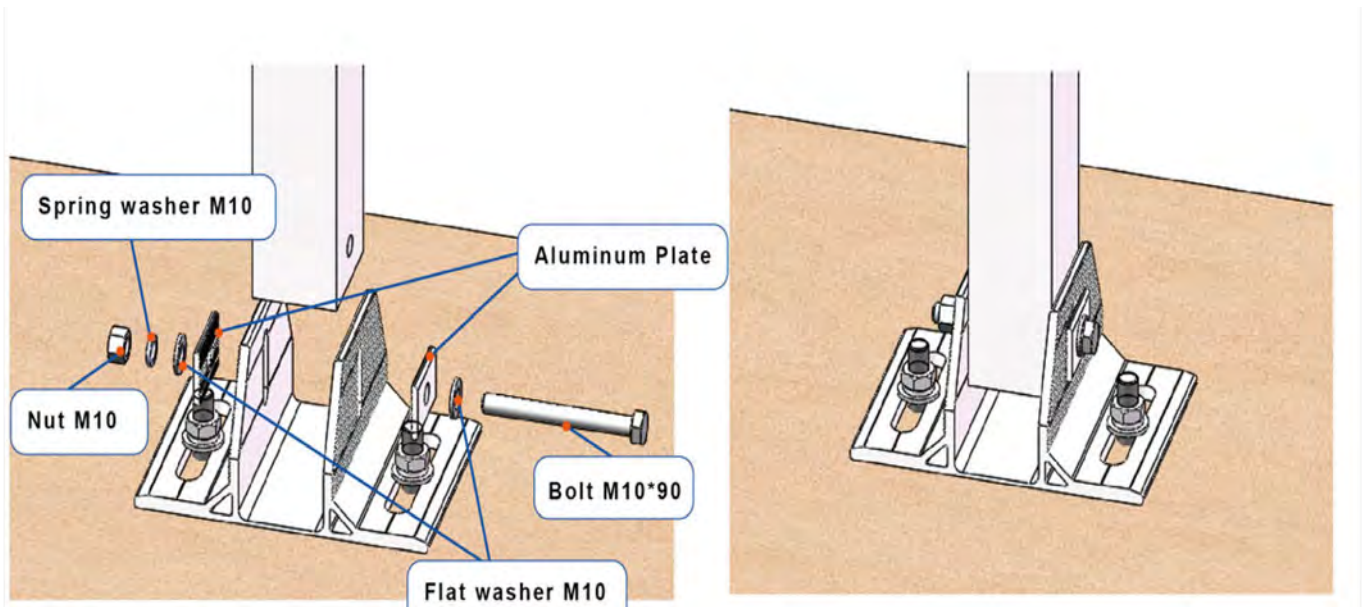
All of the above information, including drawings, illustrations and graphic designs, reflects our present understanding and is to the best of our knowledge and belief correct reliable. Users, however, should independently evaluate the suitability of each product for the desired application. Under no circumstances does this constitute an assurance any particular quality or performance. Such an assurance is only provided in the context of our product specifications or explicit contractual arrangements. Our liability for products set forth our standard terms and conditions of sale



1.3. Front Leg Installation

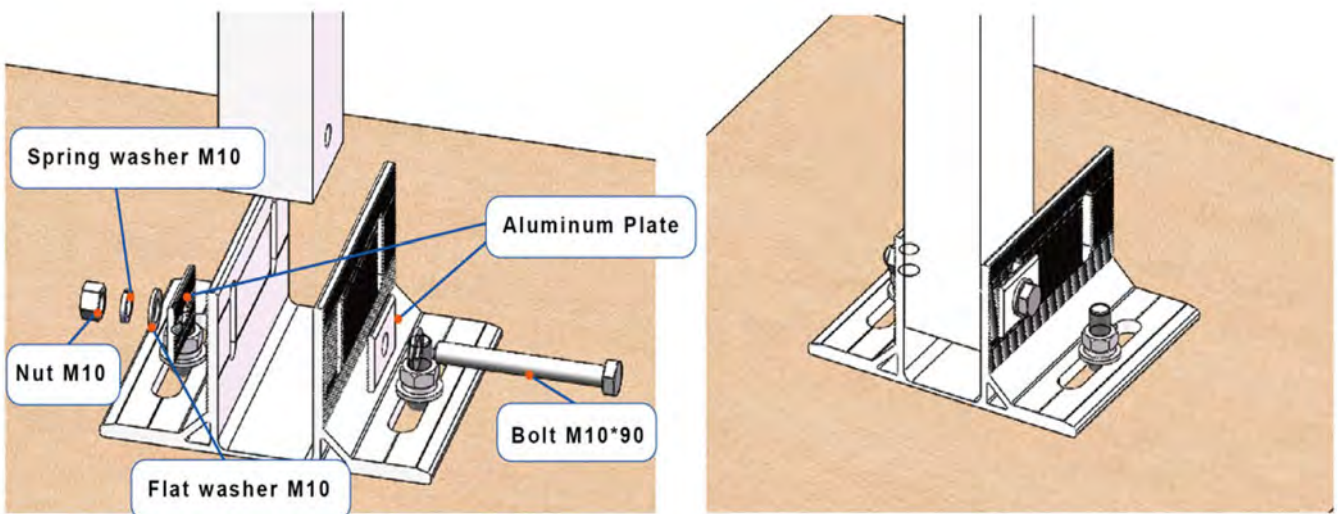
1.3.1: Front Leg Installation

NOTE:- Install the front leg on front base and fix it with bolts, but do not tighten it until the height adjustment finished in 1.3.4.



1.3.2: Rear Leg Installation

NOTE:- Install the rear leg on back base and fix it with bolts, but do not tighten it until the height adjustment finished in 1.3.4.

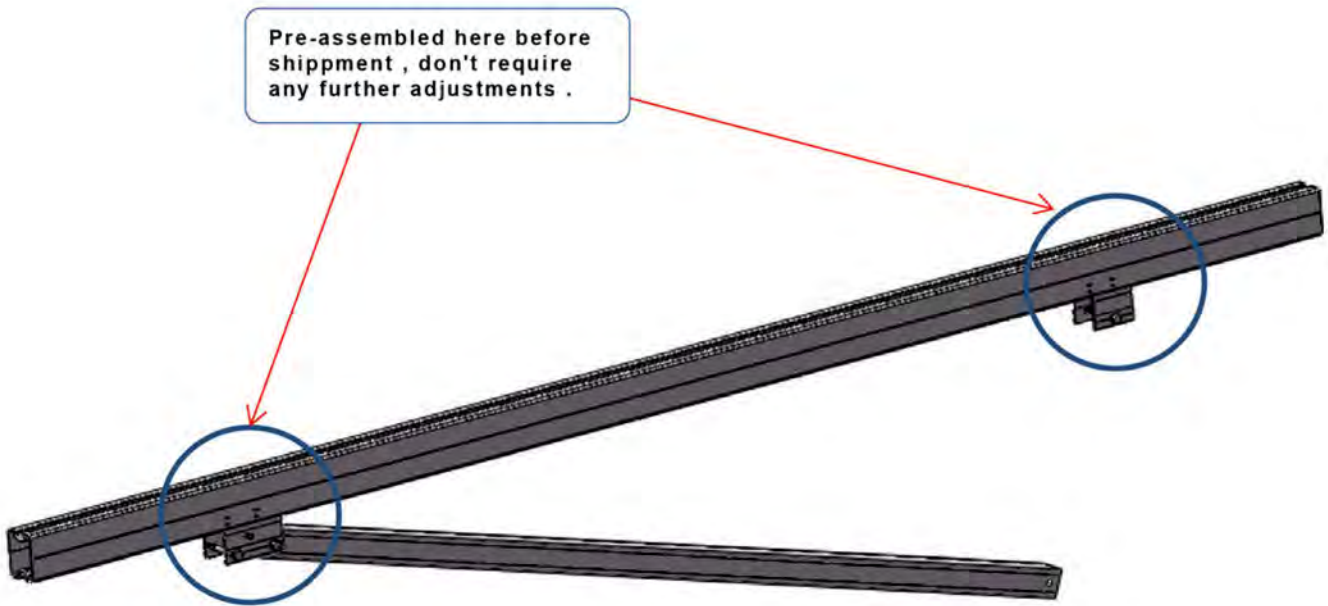


All of the above information, including drawings, illustrations and graphic designs, reflects our present understanding and is to the best of our knowledge and belief correct reliable. Users, however, should independently evaluate the suitability of each product for the desired application. Under no circumstances does this constitute an assurance any particular quality or performance. Such an assurance is only provided in the context of our product specifications or explicit contractual arrangements. Our liability for products set forth our standard terms and conditions of sale.

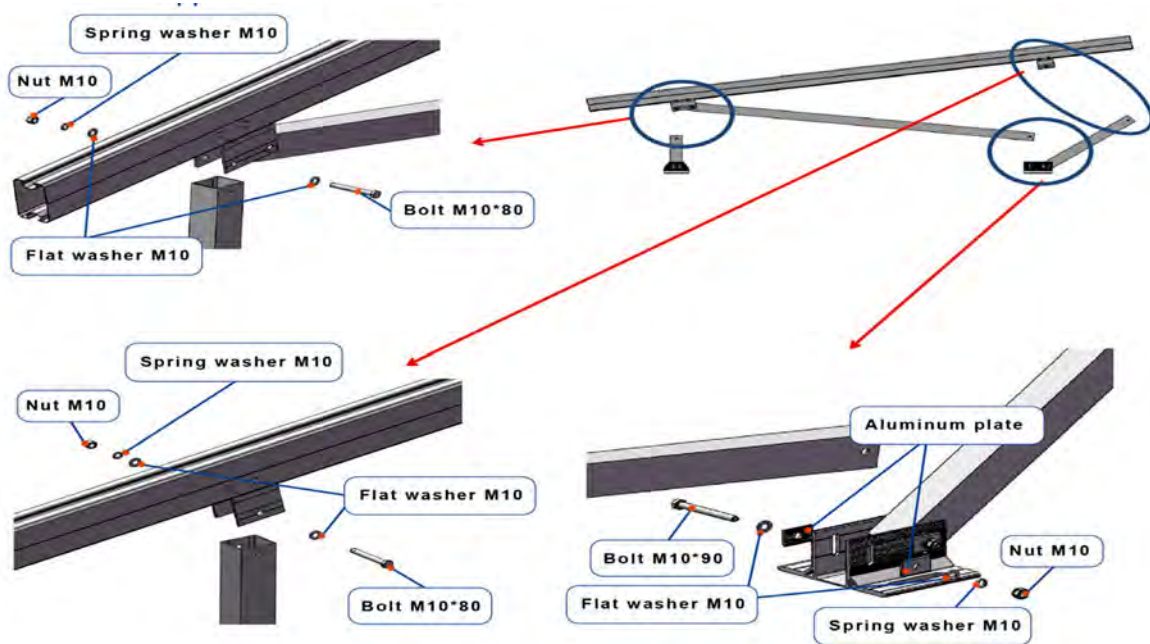


1.3.3: Support Rack Installation

NOTE:- Fix the support Rack to foot base and legs, but do not tighten the support rack and rear foot base until the height adjustment of 1.3.4 finished.



1.3.3.1: Support Rack Installation



All of the above information, including drawings, illustrations and graphic designs, reflects our present understanding and is to the best of our knowledge and belief correct reliable. Users, however, should independently evaluate the suitability of each product for the desired application. Under no circumstances does this constitute an assurance any particular quality or performance. Such an assurance is only provided in the context of our product specifications or explicit contractual arrangements. Our liability for products set forth our standard terms and conditions of sale

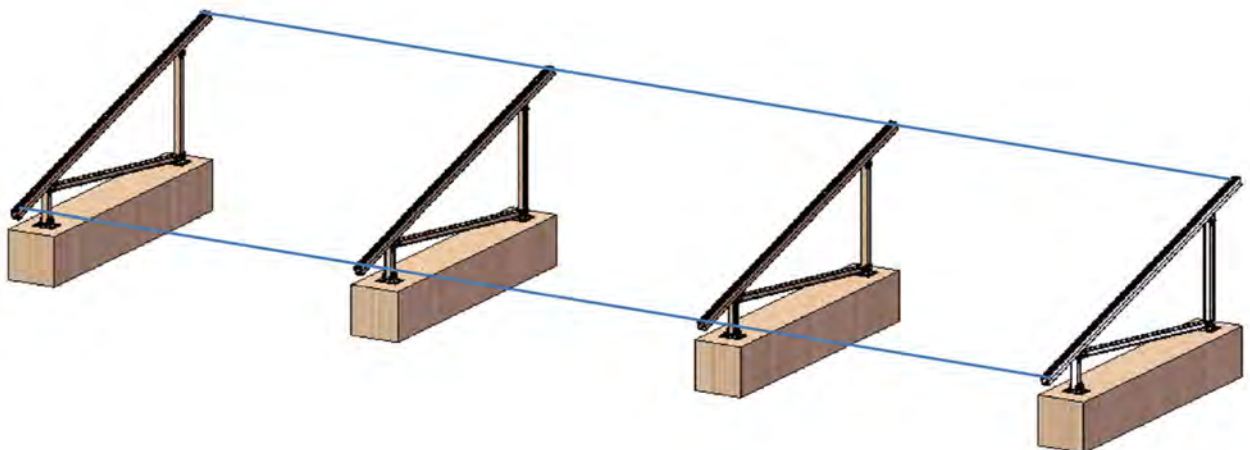


1.3.3.2: Support Rack installation finished



1.3.4: Do the adjustment to the support rack to meet the correct tilt angle

NOTE:- Do adjust to the support rack to make it meet the correct tilt angle and keep all the rack on the same level with the slot hole on foot base and then fix all the bolts tightly



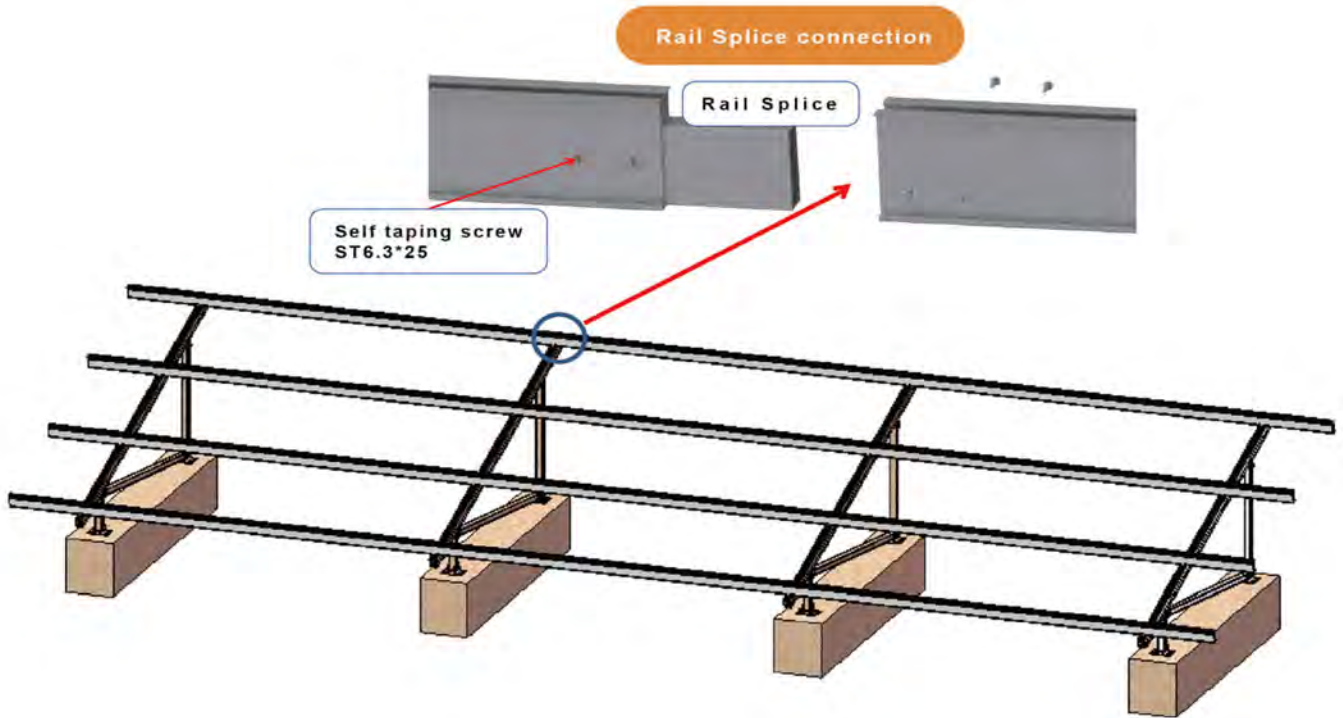
NOTE:- Step 1.3.3 and 1.3.4 should be done at the same time .

All of the above information, including drawings, illustrations and graphic designs, reflects our present understanding and is to the best of our knowledge and belief correct reliable. Users, however, should independently evaluate the suitability of each product for the desired application. Under no circumstances does this constitute an assurance any particular quality or performance. Such an assurance is only provided in the context of our product specifications or explicit contractual arrangements. Our liability for products set forth our standard terms and conditions of sale

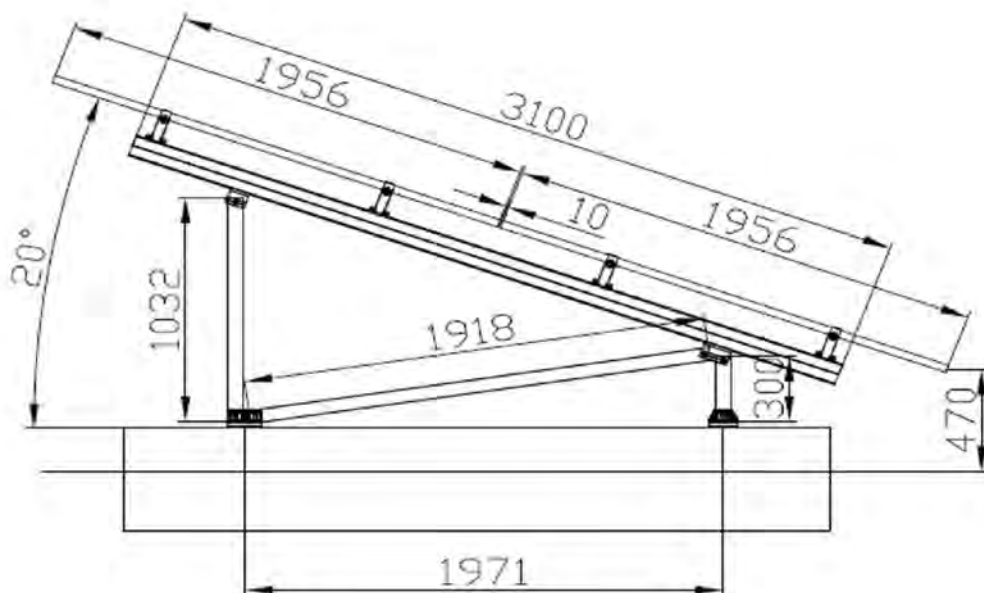


2. Rail Installation

Fix rails to the support rack by UI-Clamp



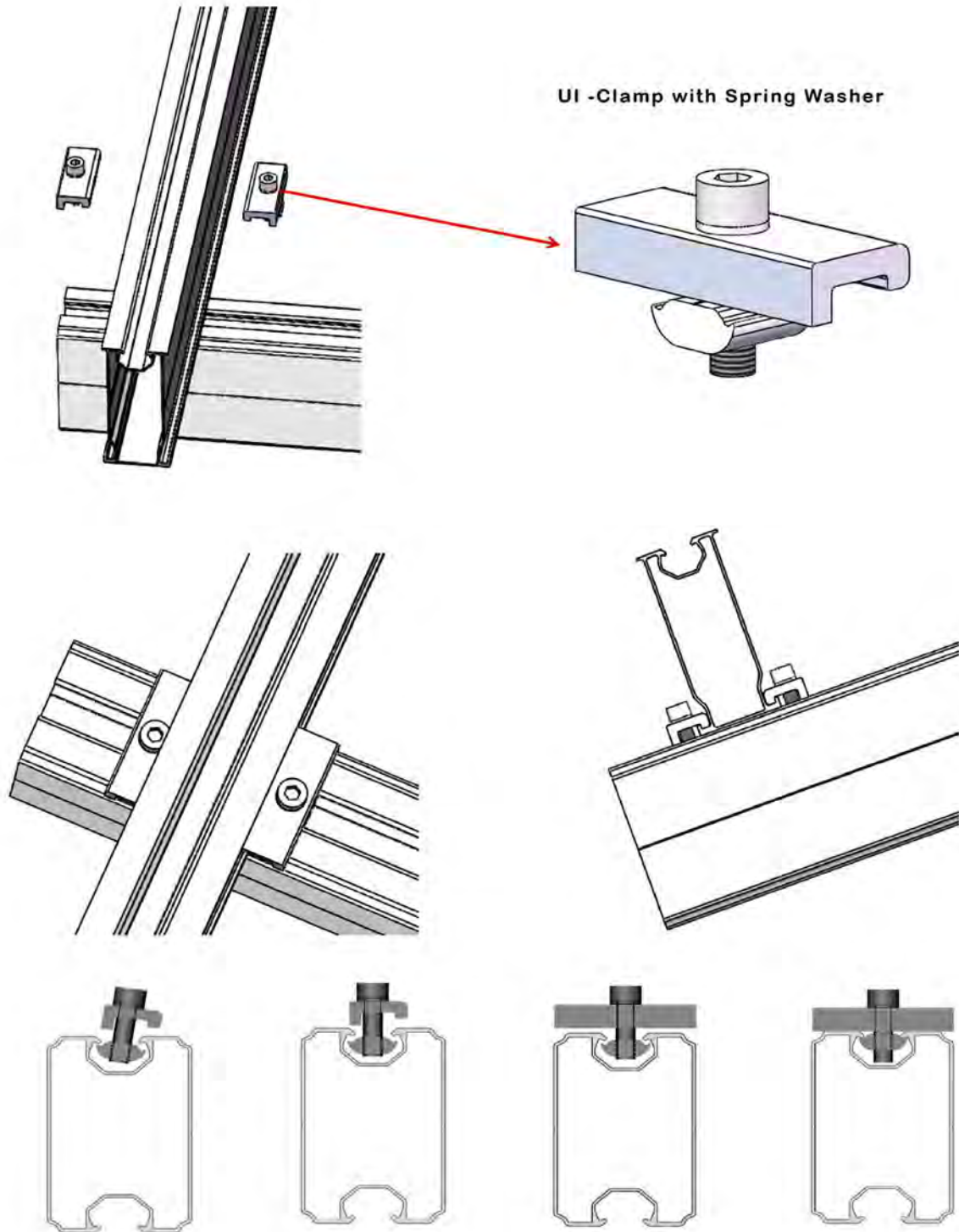
NOTE:- 2.1. Install rails from lower side to higher according to technical drawing. (Take 1956 x 990 solar panel forexample).



All of the above information, including drawings, illustrations and graphic designs, reflects our present understanding and is to the best of our knowledge and belief correct reliable. Users, however, should independently evaluate the suitability of each product for the desired application. Under no circumstances does this constitute an assurance any particular quality or performance. Such an assurance is only provided in the context of our product specifications or explicit contractual arrangements. Our liability for products set forth our standard terms and conditions of sale



2.2: UI - Clamp with Spring Washer.



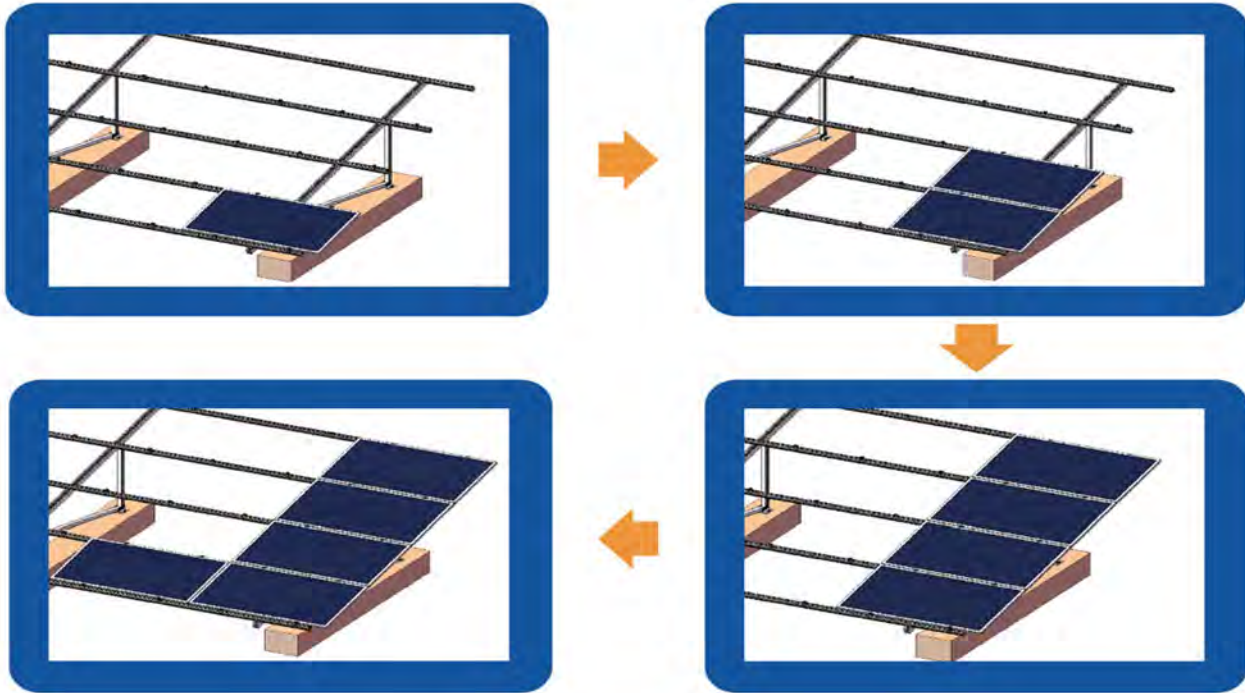
All of the above information, including drawings, illustrations and graphic designs, reflects our present understanding and is to the best of our knowledge and belief correct reliable. Users, however, should independently evaluate the suitability of each product for the desired application. Under no circumstances does this constitute an assurance any particular quality or performance. Such an assurance is only provided in the context of our product specifications or explicit contractual arrangements. Our liability for products set forth our standard terms and conditions of sale



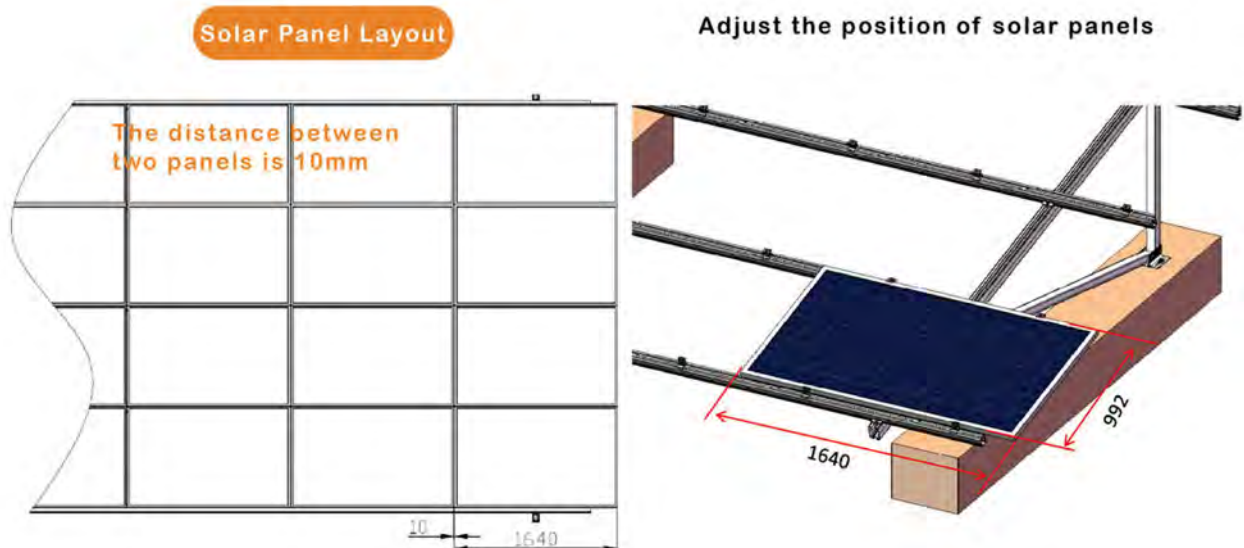
3. Solar Panel Installation

3.1: Solar Panel Layout

NOTE:- 3.11 Install solar panel from lower side to higher.



NOTE:- 3.12 Solar panel layout according to following drawing. (Take 1640 x 992 solar panel for example)

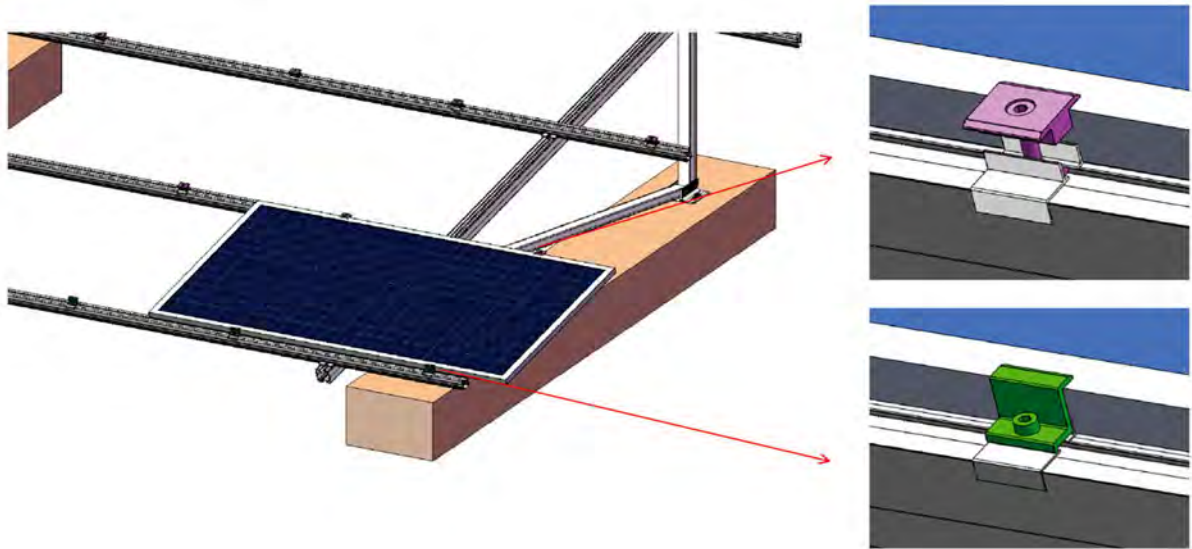


All of the above information, including drawings, illustrations and graphic designs, reflects our present understanding and is to the best of our knowledge and belief correct reliable. Users, however, should independently evaluate the suitability of each product for the desired application. Under no circumstances does this constitute an assurance any particular quality or performance. Such an assurance is only provided in the context of our product specifications or explicit contractual arrangements. Our liability for products set forth our standard terms and conditions of sale

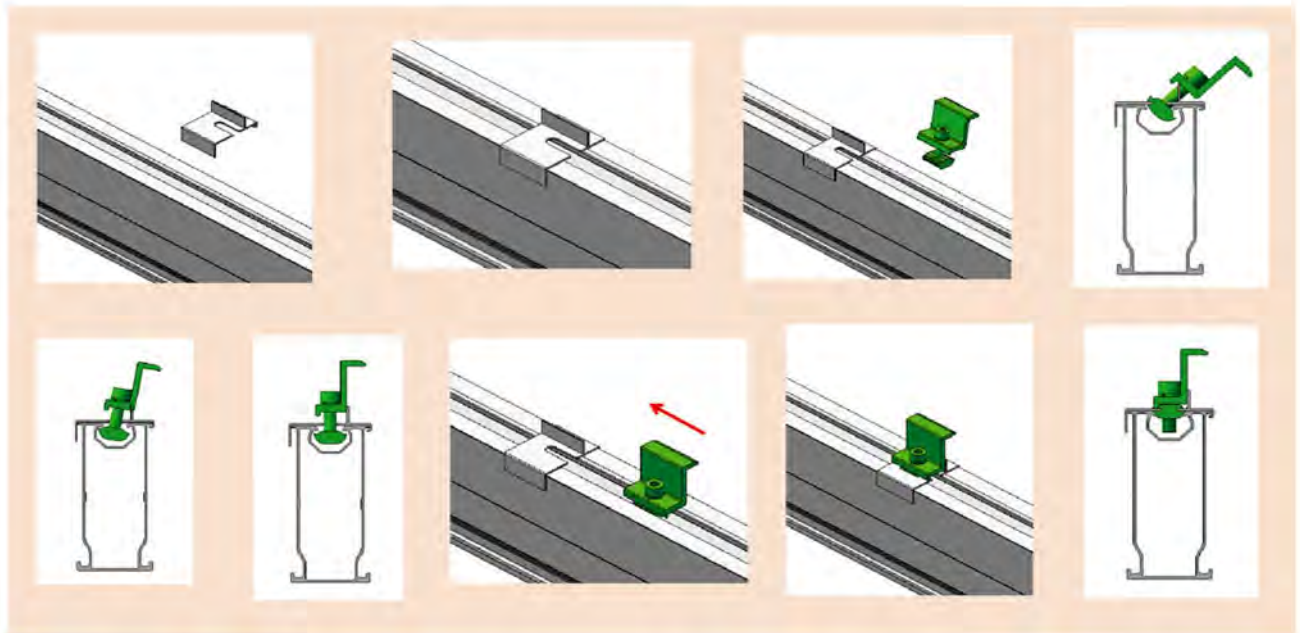


3.2: Clamp Installation

NOTE:- Install clamps according to above solar panel layout .



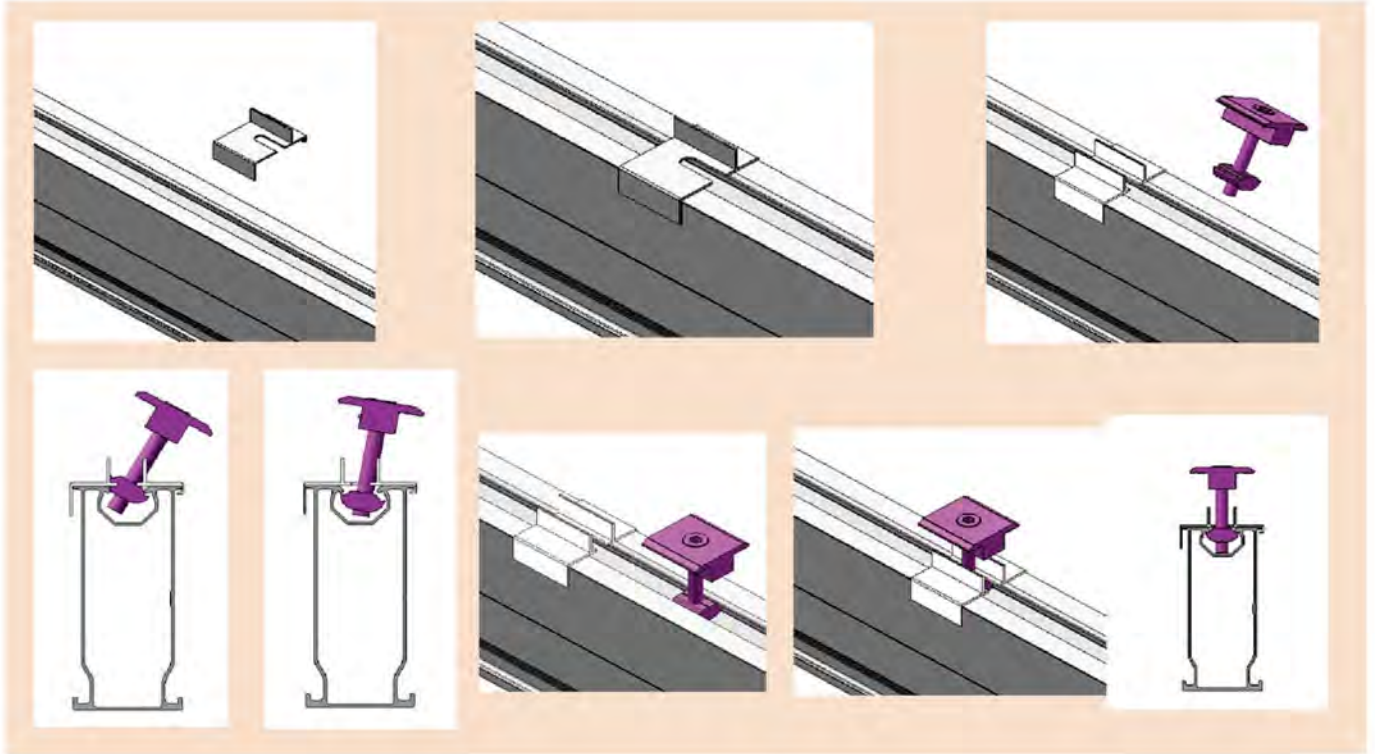
3.2.1: End Clamp Details .



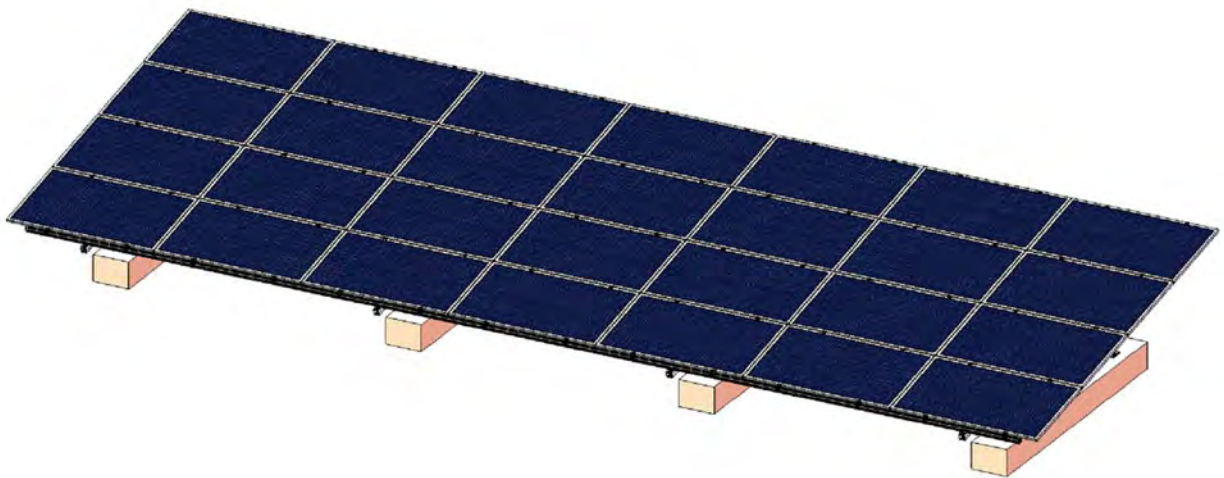
All of the above information, including drawings, illustrations and graphic designs, reflects our present understanding and is to the best of our knowledge and belief correct reliable. Users, however, should independently evaluate the suitability of each product for the desired application. Under no circumstances does this constitute an assurance any particular quality or performance. Such an assurance is only provided in the context of our product specifications or explicit contractual arrangements. Our liability for products set forth our standard terms and conditions of sale



NOTE:- 3.22: Mid Clamp Details .



4. Installation Finished



All of the above information, including drawings, illustrations and graphic designs, reflects our present understanding and is to the best of our knowledge and belief correct reliable. Users, however, should independently evaluate the suitability of each product for the desired application. Under no circumstances does this constitute an assurance any particular quality or performance. Such an assurance is only provided in the context of our product specifications or explicit contractual arrangements. Our liability for products set forth our standard terms and conditions of sale

