

**INSTRUCTION TO REPLACE
THE HEATING ELEMENT
"Super Fitting System"**

DUCHA EVIDENCE 4T

DUCHA ELEGANCE 4T



Evidence



Elegance

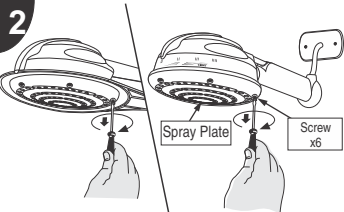
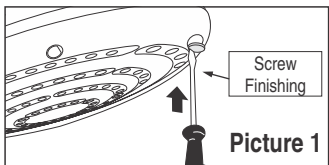
Version:
**Intermediary Base
fixed with 3 Screws.**

"ATTENTION"

This Mounted Resistance is exclusive to the models Evidence 4T and Elegance 4T (4 temperaturas). Not used for other types of Duchas.

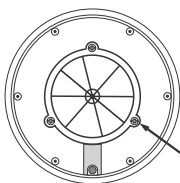
Before starting the replacement of the element, switch off the main electrical switch or the insulating switch of the electrical circuit of the Shower. Close the stop-tap of the pipe where the device is installed.

1 Release the 6 screw finishing with the screw driver, pressing the side as shown in picture 1.



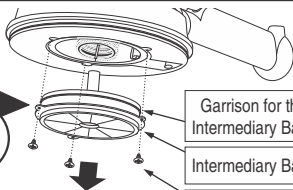
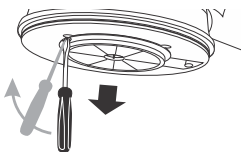
Release the 6 screws, that close the Evidence Shower with a screwdriver.

3 Version with Intermediary Base fixed with 3 Screws:



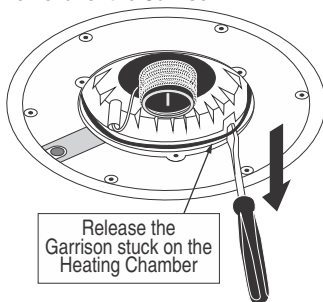
Release the Screws which fix the Intermediary Base in its Heating Chamber using a screwdriver.

4 Remove the intermediary base (with water) with a screwdriver.

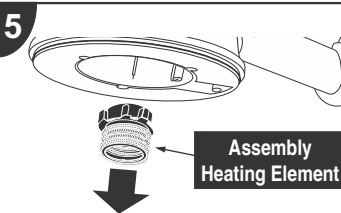
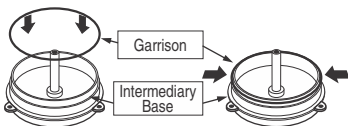


In case of the Garrison remains fixed on the Heating Chamber, with a screwdriver release it (picture 2). And place it into the dorm area of the Intermediary Base (picture 3).

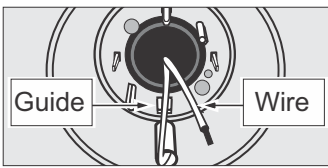
Picture 2:
Removal of the Garrison.



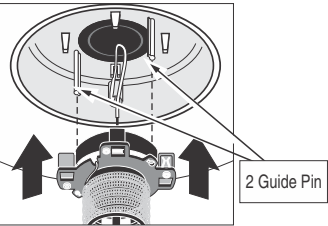
Picture 3:
Connect fit of the Garrison on the Intermediary Base.



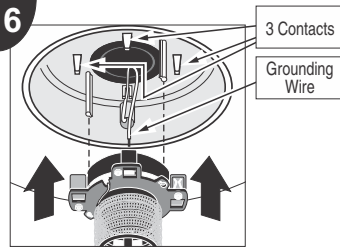
Pull and remove the assembly heating element observing the fitting position.



Before fit the new element certify that the Grounding Wire is correctly fitting into your Guide.

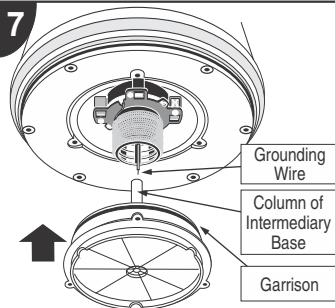


The opening of element must be positioned on the Grounding Wire for the perfect fixing.



Fit the new heating element on the three contacts, being guided by the Guide Pin.

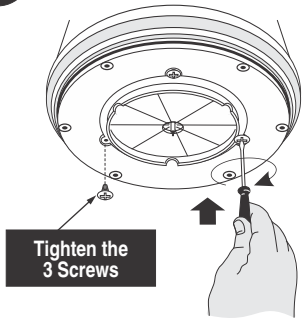
Tip: After this operation take some time to clean up the Spray Plate.



Before fixing the Intermediary Base, certify that the Grounding Wire is inside of the column of the Intermediary Base and your Garrison be fixed correctly.

Push it until the correct fitting. See picture 4.

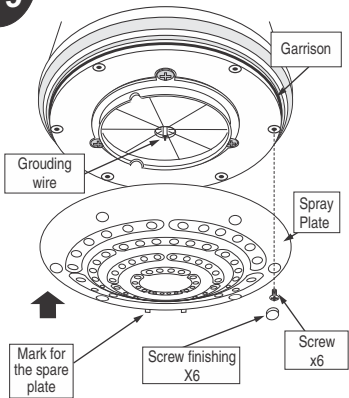
8 Picture 4



Tighten the 3 Screws

Once fitted in the Heating Chamber fix the Intermediary Base with 3 Screws using a screwdriver.

9



Make sure that the garrison is fixed properly on the bowl.

Align the mark for spare plate with the bowl mark, fitting and tighten the six screws and lastly place the screws finishings.

Finally to avoid damages to heating element, **open the stop-tap a few seconds**, in order to fill the heating chamber and only after this turn on the insulating switch.

If you have a doubt or an opinion on our products please contact our customer service:

Tel: 55 11 3478-5618

Fax: 55 11 3478-5796

email: exporta@fame.com.br

www.fame.com.br