

SMARTROOF

SMARTROOF- EASY, QUICK TO INSTALL, DURABLE AND CLEAN

The rigid PVC roof profile meets the challenges of offering a durable and clean shelter. Also in terms of environmental impact, it is a coherent product. The roof pitch can vary from as low as 3 degrees to 90 degrees for cladding. The PVC material makes it lightweight and resistant to various materials. The roof once installed can also be relocated by simply un-clicking the profiles.

Technical Specifications:

Material	Modified Rigid PVC	Benefits:	
Cross-section	275 x 30 mm	• Impact resistant	• easy assembly
Weight	About 4 kg per sq.m.	• Splash-proof	• very light material
Battens	depending on the roof pitch 200-350 mm	• 100% recyclable	• integrated water management
Lengths	2, 2.5, 3mtr + custom length	• Different colors	• cheap price
Roof pitch	From 3° – 90°	• Rotunda possible	
Load	> 650 kg / sqm	• Durable	
Water absorption	<0.2%	• Weatherproof	

The more plastic roofing sheets roofing system - Accessories:

Roofing sheet profile Brick	End Trim
Roofing sheet profile Light Grey	Ridge of the roof
Roofing sheet profile Blue	Fixing screw and clips
Roofing sheet profile Green	T-Angle element
Translucent roofing sheet profile	



INSTALLATION INSTRUCTIONS



100% RECYCLABLE

METSEC
CABLES LIMITED

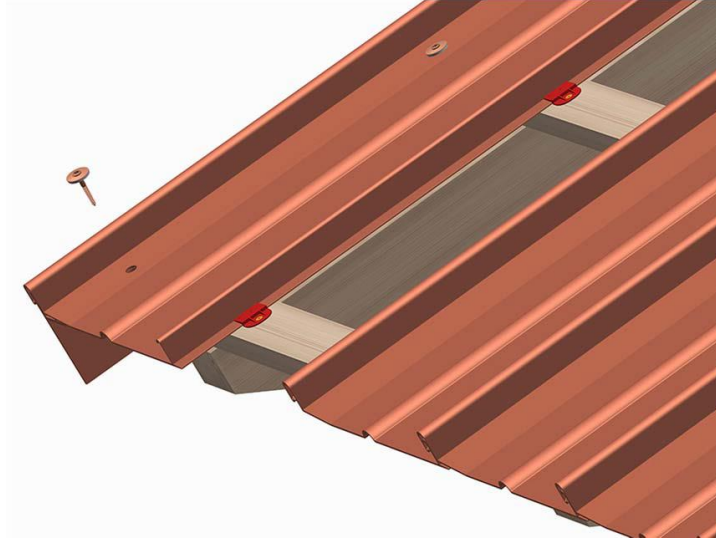
SMARTROOF

Step 2

1. Install the End Cap on one of the edges of the roof
2. Lock it in place by screwing it down on the trusses

Hatua Ya Pili

1. Funga End Cap katika mojawapo ya paa ya bati
2. Funganisha mahali pake kwa kutumia screw.



Step 3

Install the 1st roofing sheet by placing it over the End Cap and snapping the edge of the End Cap into the J formation of the roofing sheet, until it snaps into place.

Hatua Ya Tatu

Tandaza batila kwanza ukilinganisha ile Kifaa End Cap liingie katika mtaro ulioukingoni mwa bati.

Step 4

Screw on the first sheet on the truss to hold it down firmly. The restraining clips needs to be mounted on the outside of the roofing sheet (as shown above). The first screw should be firmly screwed through the plastic, generally the centre one. Subsequent clips (placed at regular intervals) should be screwed outside the plastic to allow for expansion and contraction

Hatua Ya Nne

Tumia screw kufunga bati la kwanza ili iweze kukalia paa sawasawa. Ile kifaa ya clip inafaa ifinyilie bati kwa sehemu yake ilioinuka, sehemu ingine ya clip inafungiliwa kwa paa (Tuelewe zaidi kwa kutazama picho tuopewa)

Step 5

Snap on the next roofing sheet by overlapping it over the first one and ensure the lip snaps into the J formation of the second sheet. Continue placing the clips as before. Repeat this process until the end of the roof.

Hatua Ya Tano

Weka bati la pili ule upandewenyemtaro



SMARTROOF

Step 6

The final roofing sheet may need to be cut, to fit the size of the roof, hence we shall use the End Trim, to offer a smooth and straight line when fitted over the cut edge of the roofing sheet.

Hatua Ya Sita

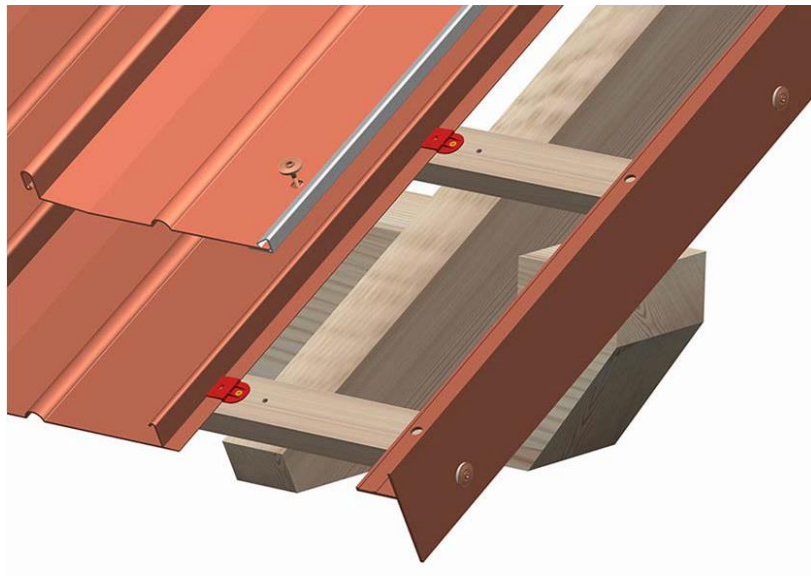
Bati la mwisho hukatwa ukiwa mrefu kuzidi sehemu ya paa lililobaki, kifaa kitwacho End trim hutumika kutoa mstari laini na ya moja kwa moja.

Step 7

Snap the final piece with the End Trim on the End Cap
Screw through to hold the final piece in place

Hatua Ya Saba

Baada ya kulainisha na End trim, tunamalizia kwa kuweka End cap ili ilainike mwisho kwa mwisho alafu tunafunga kwa kutumia screws ili ishikane vizuri kwa paa.



Step 8

Installing the Ridge

The ridge is placed on the apex wherever there is a double pitched roof. The design of the ridge profile is such that it allows for natural ventilation. The space allows for natural cooling.

The smart roof profile is available in Green, Blue, Grey and Brick Red. However, we can provide customized colours if required. Please contact Metsec Cables Ltd, Tel: +254-703-030000 for information regarding pricing.

Hatua Ya Nane

Kufunga Ridge:

Kifaa kinachoitwa ridge hutumika kwa paa zinazounganika juu zikiwa zimeanzia sehemu mbili mbalimbali. Unapomalizia kuunganisha kifaa Ridge, huwa inawacha mwanya ambayo huingiga hewa safi kutoka nje. Vifaa hivi vya Smart roof zinapatikana kwa rangi mbalimbali, kijani kibichi, jivu na kadhalika. Hata hivyo, tunaweza kutoa rangi customized kama inavyotakiwa. Tafadhali wasiliana na Metsec Cables Ltd, Simu: +254-703-030000 kwa habari kuhusu bei.

