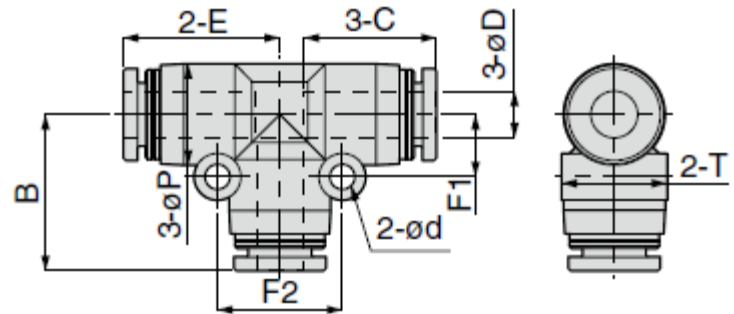


PNEUMATIC FITTINGS

Union Tee

These Push to Connect, “push in” fittings are used to connect pneumatic tubing, such as polyurethane and nylon, to various control-valves, cylinders and other associated equipment. These fitting allows tubing to be connected and reconnected repeatedly without damaging the tube or fitting.



Technical information:

Fluid: Air, Vacuum

Pressure range: 0~1MPa (0~150PSI)

Temperature range: 0~60°C

Material: Plastic

Release ring color: Blue

Applicable tube: PU(Polyurethane), PA(Nylon)

Model code	Tube O.D. øD	øP	Tube end C	E	ød	T	F1	F2	B	Orifice bore (ømm)	Weight (g)
PE4④	4	10	14.9	17.2	3.2	10.4	6.5	13	17.2	2.8	7.5
PE6④	6	13	17	20.05	3.2	13.5	8	16	20.1	4.8	11
PE8④	8	15	18.1	22.2	3.2	15.6	9	18	22.2	6.2	16
PE10④	10	17.5	20.2	25.2	4.2	18.2	12	24	25.2	8.1	25
PE12④	12	21	22.9	28.4	4.2	21.7	14	28	28.2	10	36
PE16④	16	25	24.1	33.1	4.2	25.6	12	24	33.1	13	44
PE5/32④	5/32	10	14.9	17.2	3.2	10.4	6.5	13	17.2	2.8	7.5
PE3/16④	3/16	13	17.4	20.45	3.2	13.5	8	16	20.5	3.8	12
PE1/4④	1/4	13	17	20.05	3.2	13.5	8	16	20.1	4.8	11
PE5/16④	5/16	15	18.1	22.2	3.2	15.6	9	18	22.2	6.2	16
PE3/8④	3/8	17.5	20.2	25.2	4.2	18.2	12	24	25.2	8.1	25
PE1/2④	1/2	21	23.2	28.7	4.2	21.7	14	28	28.5	10.7	34

All of the above information, including drawings, illustrations and graphic designs, reflects our present understanding and is to the best of our knowledge and belief correct reliable. Users, however, should independently evaluate the suitability of each product for the desired application. Under no circumstances does this constitute an assurance any particular quality or performance. Such an assurance is only provided in the context of our product specifications or explicit contractual arrangements. Our liability for products set forth our standard terms and conditions of sale



Scan QR Code