

PNEUMATIC FITTINGS

AIR FLOW LIMIT VALVE

The flow control valve is housed in a banjo-style body with a 90-degree angle and is suitable for use in metering outlet air flow in pneumatic applications. A knobbed screw with a locking nut is used to adjust air flow on the outlet side. The banjo body is impact-resistant, the brass threaded fitting is corrosion-resistant, and the nitrile butadiene rubber (NBR) O-ring is resistant to oil and chemicals. The banjo body has a female push-to-connect tubing end and the housed brass fitting has a male BSP thread. It has a maximum operating pressure of 145 pounds per square inch (psi) and a working temperature range of 0 to 70 degrees C. This air flow control valve is suitable for use in pneumatic applications such as in laboratories, food and beverage processing, and paint and printing industries.

Technical information:

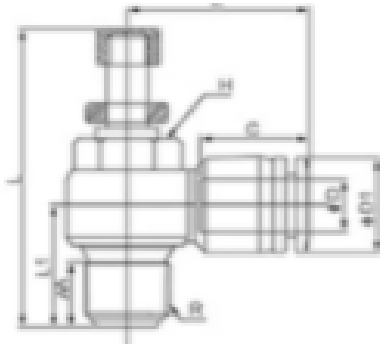
Fluid: Air, Vacuum

Pressure range: 0~1MPa (0~150PSI)

Temperature range: 0~70°C

Release ring color: Blue

Applicable tube: PU(Polyurethane), PA(Nylon)



型号	φD	φD1	R	H	A	L-min	L-max	L1	E	C	型号	φD	φD1	R	H	A	L-min	L-max	L1	E	C
ASL4-M5	4	10.8	M5	8	4	29.5	32	11.5	21	15.5	ASL7-04	7	14.5	R1/2	22	11.5	50.5	56	22	33.5	18
ASL4-M6	4	10.8	M6	8	4	29.5	32	11.5	21	15.5	ASL8-M5	8	14.5	M5	8	4	29.5	32	12	25	18
ASL4-01	4	10.8	R1/8	11	7.5	36.5	41	15	23.5	15.5	ASL8-M6	8	14.5	M6	8	4	29.5	32	12	25	18
ASL4-02	4	10.8	R1/4	14	10.5	44	48	18.5	25	15.5	ASL8-01	8	14.5	R1/8	11	7.5	36.5	41	16.5	27	18
ASL5-M5	5	12.5	M5	8	4	29.5	32	11.5	22.5	16.5	ASL8-02	8	14.5	R1/4	14	10.5	44	48	19	27.5	18
ASL5-M6	5	12.5	M6	8	4	29.5	32	11.5	22.5	16.5	ASL8-03	8	14.5	R3/8	18	10.5	45.5	51	20	31	18
ASL5-01	5	12.5	R1/8	11	7.5	36.5	41	15.5	24	16.5	ASL8-04	8	14.5	R1/2	22	11.5	50.5	56	22	33	18
ASL5-02	5	12.5	R1/4	14	10.5	44	48	19	25.5	16.5	ASL9-01	9	17.5	R1/8	11	7.5	36.5	41	17	29.5	19.5
ASL5-03	5	12.5	R3/8	18	10.5	45.5	51	19.5	29	16.5	ASL9-02	9	17.5	R1/4	14	10.5	44	48	20.5	32.5	19.5
ASL5-04	5	12.5	R1/2	22	11.5	50.5	56	22	31	16.5	ASL9-03	9	17.5	R3/8	18	10.5	45.5	51	22	34.5	19.5
ASL6-M5	6	12.5	M5	8	4	29.5	32	11.5	22.5	16.5	ASL9-04	9	17.5	R1/2	22	11.5	50.5	56	22	37	19.5
ASL6-M6	6	12.5	M6	8	4	29.5	32	11.5	22.5	16.5	ASL10-01	10	17.5	R1/8	11	7.5	36.5	41	17	29	19.5
ASL6-01	6	12.5	R1/8	11	7.5	36.5	41	15.5	24	16.5	ASL10-02	10	17.5	R1/4	14	10.5	44	48	20.5	31	19.5
ASL6-02	6	12.5	R1/4	14	10.5	44	48	19	25.5	16.5	ASL10-03	10	17.5	R3/8	18	10.5	45.5	51	22	34	19.5
ASL6-03	6	12.5	R3/8	18	10.5	45.5	51	19.5	29	16.5	ASL10-04	10	17.5	R1/2	22	11.5	50.5	56	22	37	19.5
ASL6-04	6	12.5	R1/2	22	11.5	50.5	56	22	31	16.5	ASL12-01	12	20.5	R1/8	11	7.5	36.5	41	18.5	31.5	21.5
ASL7-M5	7	14.5	M5	8	4	29.5	32	12	25.5	18	ASL12-02	12	20.5	R1/4	14	10.5	44	48	20.5	35	21.5
ASL7-M6	7	14.5	M6	8	4	29.5	32	12	25.5	18	ASL12-03	12	20.5	R3/8	18	10.5	45.5	51	23.5	37	21.5
ASL7-01	7	14.5	R1/8	11	7.5	36.5	41	16.5	27.5	18	ASL12-04	12	20.5	R1/2	22	11.5	50.5	56	25	38.5	21.5
ASL7-02	7	14.5	R1/4	14	10.5	44	48	19	28	18	ASL16-04	16	24.5	R1/2	22	11.5	50.5	56	26.5	39.5	21.5
ASL7-03	7	14.5	R3/8	18	10.5	45.5	51	20	31.5	18											

All of the above information, including drawings, illustrations and graphic designs, reflects our present understanding and is to the best of our knowledge and belief correct reliable. Users, however, should independently evaluate the suitability of each product for the desired application. Under no circumstances does this constitute an assurance any particular quality or performance. Such an assurance is only provided in the context of our product specifications or explicit contractual arrangements. Our liability for products set forth our standard terms and conditions of sale

