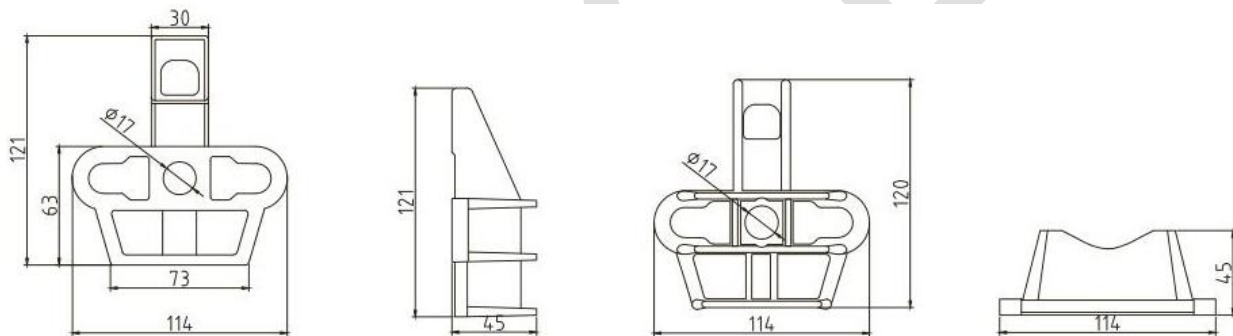


UNIVERSAL POLE BRACKET



DIMENSIONS



remarks:1) $\pm 0.2\text{mm}$ 2) Material: Aluminum Alloy

Main Features

- Made from aluminum alloy;
- High mechanical strength;
- Working load 5000 N;
- Universal fitting suitable for wooden, metal or concrete poles.

All of the above information, including drawings, illustrations and graphic designs, reflects our present understanding and is to the best of our knowledge and belief correct reliable. Users, however, should independently evaluate the suitability of each product for the desired application. Under no circumstances does this constitute an assurance any particular quality or performance. Such an assurance is only provided in the context of our product specifications or explicit contractual arrangements. Our liability for products set forth our standard terms and conditions of sale

