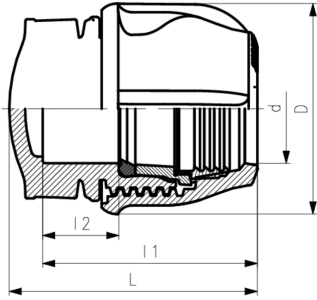


End cap

- installation without disassembling
- suitable for PE and PEX pipes
- water PN16
- material: PP
- gasket: EPDM quality for drinkable water
- colour: blue-black



d (mm)	PN (bar)	Code	SP	GP	Weight (kg)	D (mm)	L (mm)	l1 (mm)	l2 (mm)
16	16	158 400 353	10	80	0.041	45	60	46	19
20	16	158 400 079	10	0	0.037	45	60	54	19
25	16	158 400 080	10	180	0.054	53	67	59	21
32	16	158 400 081	10	130	0.087	64	76	66	23
40	16	158 400 082	100	0	0.136	75	89	76	26
50	16	158 400 083	55		0.267	97	104	88	30
63	16	158 400 084	30	0	0.471	114	124	104	35
75	16	158 400 085	18		0.791	135	155	133	41
90	16	158 400 086	8		1.268	161	178	150	44
110	16	158 400 087	6		1.901	185	209	175	53

The technical data are not binding. They neither constitute expressly warranted characteristics nor guaranteed properties nor a guaranteed durability. They are subject to modification. Our General Terms of Sale apply.

Georg Fischer Piping Systems Ltd, Postfach, CH-8201 Schaffhausen/Switzerland

Phone +41 -(0)52-631 1111

e-mail: info.ps@georgfischer.com

Internet: <http://www.gfps.com>