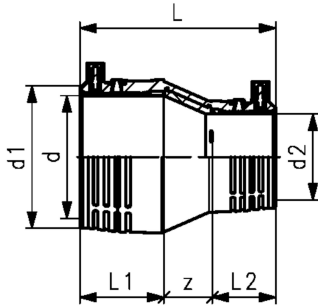




ELGEF Plus Reducer PE100
d63-180mm / SDR11

- 10 bar Gas / 16 bar Water
- 4 mm pin connectors
- Limited path fusion indicators



d	d2	DN	PN	SDR	Code	Weight	d1	L	L1	L2	z	SDR pipe
(mm)	(mm)	(mm)	(bar)			(kg)	(mm)	(mm)	(mm)	(mm)	(mm)	
90	63	80	16	11	753 901 831	0.385	113	146	63	47	36	9-11
110	63	100	16	11	753 901 832	0.644	140	184	71	58	55	9-11
110	90	100	16	11	753 901 833	0.700	138	173	73	63	38	9-17.6
125	90	100	16	11	753 901 836	0.891	152	194	77	62	55	9-17.6
160	90	150	16	11	753 901 839	1.600	202	227	90	72	65	9-11
160	110	150	16	11	753 901 864	1.783	202	226	90	71	65	9-17.6
180	125	150	16	11	753 901 865	2.340	225	254	96	78	80	9-17.6

The technical data are not binding. They neither constitute expressly warranted characteristics nor guaranteed properties nor a guaranteed durability. They are subject to modification. Our General Terms of Sale apply.

Georg Fischer Piping Systems Ltd, Postfach, CH-8201 Schaffhausen/Switzerland

Phone +41 -(0)52-631 1111

e-mail: info.ps@georgfischer.com

Internet: <http://www.gfps.com>