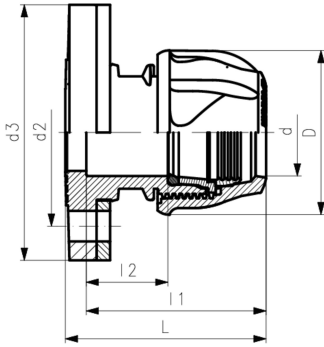


## Flanged joint with metal flange

- installation without disassembling
- suitable for PE and PEX pipes
- water PN16
- material: PP
- gasket: EPDM quality for drinkable water
- flange: steel
- colour: blue-black



d	DN	DN	PN	Code	SP	Weight	D	d2	d3	L	l1	l2
(mm)	(inch)	(mm)	(bar)			(kg)	(mm)	(mm)	(mm)	(mm)	(mm)	(mm)
50	1 ½	40	16	<b>158 400 114</b>	16	1.129	97	110	150	118	88	30
50	2	50	16	<b>158 400 115</b>	16	1.166	97	125	160	119	88	30
63	2	50	16	<b>158 400 116</b>	12	1.322	114	125	160	13	104	35
63	2 ½	65	16	<b>158 400 117</b>	12	1.694	114	145	187	137	104	35
75	2 ½	65	16	<b>158 400 118</b>	8	1.959	135	145	187	170	133	41
75	3	80	16	<b>158 400 119</b>	6	2.153	135	160	205	168	133	41
90	3	80	16	<b>158 400 120</b>	6	2.563	161	160	205	192	150	44
90	4	100	16	<b>158 400 121</b>	6	2.708	161	180	220	195	150	44
110	4	100	16	<b>158 400 122</b>	6	3.142	185	180	220	223	175	53

The technical data are not binding. They neither constitute expressly warranted characteristics nor guaranteed properties nor a guaranteed durability. They are subject to modification. Our General Terms of Sale apply.

Georg Fischer Piping Systems Ltd, Postfach, CH-8201 Schaffhausen/Switzerland

Phone +41 -(0)52-631 1111

e-mail: [info.ps@georgfischer.com](mailto:info.ps@georgfischer.com)

Internet: <http://www.gfps.com>