

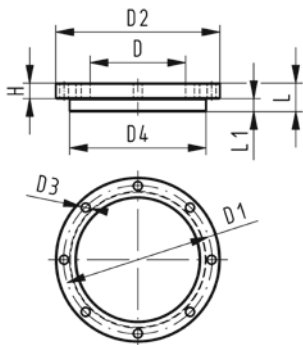
Backing flange steel metric
Bolt Circle PN16
For butt fusion systems metric

Model:

- Material: S235JR / zinc-coated
- Connecting dimensions: ISO 7005, EN 1092, DIN 2501
- **Bolt circle PN 16**

AL: number of holes

| d | DN | PN | Code | Weight | D | D1 | D2 | D3 | H | AL | SC |
|------|------|-------|-------------|--------|------|------|------|------|------|----|-----|
| (mm) | (mm) | (bar) | | (kg) | (mm) | (mm) | (mm) | (mm) | (mm) | | |
| 32 | 25 | 16 | 701 474 390 | 1.100 | 115 | 85 | 42 | 14 | 12 | 4 | M12 |
| 40 | 32 | 16 | 701 474 391 | 1.500 | 140 | 100 | 51 | 18 | 14 | 4 | M16 |
| 50 | 40 | 16 | 701 474 392 | 1.600 | 150 | 110 | 62 | 18 | 14 | 4 | M16 |
| 63 | 50 | 16 | 701 474 393 | 1.900 | 165 | 125 | 78 | 18 | 16 | 4 | M16 |
| 75 | 65 | 16 | 701 474 394 | 2.400 | 185 | 145 | 92 | 18 | 16 | 4 | M16 |
| 90 | 80 | 16 | 701 474 395 | 2.900 | 200 | 160 | 108 | 18 | 18 | 8 | M16 |
| 110 | 100 | 16 | 701 474 396 | 3.100 | 220 | 180 | 128 | 18 | 18 | 8 | M16 |
| 125 | 100 | 16 | 701 474 397 | 3.060 | 220 | 180 | 135 | 18 | 18 | 8 | M16 |
| 125 | 125 | 16 | 701 474 386 | 6.000 | 250 | 210 | 135 | 18 | 25 | 8 | M16 |
| 140 | 125 | 16 | 701 474 387 | 3.700 | 250 | 210 | 158 | 18 | 18 | 8 | M16 |
| 160 | 150 | 16 | 701 474 382 | 5.100 | 285 | 240 | 178 | 22 | 20 | 8 | M20 |
| 180 | 150 | 16 | 701 474 398 | 4.800 | 285 | 240 | 188 | 22 | 20 | 8 | M20 |
| 200 | 200 | 16 | 701 480 475 | 7.400 | 340 | 295 | 235 | 22 | 24 | 12 | M20 |
| 225 | 200 | 16 | 701 480 476 | 7.400 | 340 | 295 | 238 | 22 | 24 | 12 | M20 |
| 250 | 250 | 16 | 701 480 477 | 13.000 | 405 | 355 | 288 | 26 | 30 | 12 | M24 |
| 280 | 250 | 16 | 701 480 478 | 12.600 | 405 | 355 | 294 | 26 | 30 | 12 | M24 |
| 315 | 300 | 16 | 701 480 479 | 18.400 | 460 | 410 | 338 | 26 | 34 | 12 | M24 |
| 355 | 350 | 16 | 701 480 480 | 25.000 | 520 | 470 | 376 | 26 | 35 | 16 | M24 |
| 400 | 400 | 16 | 701 480 481 | 31.000 | 580 | 525 | 430 | 30 | 38 | 16 | M27 |
| 450 | 500 | 16 | 701 480 482 | 37.000 | 715 | 650 | 517 | 33 | 46 | 20 | M30 |
| 500 | 500 | 16 | 701 480 483 | 32.000 | 715 | 650 | 533 | 33 | 46 | 20 | M30 |



Blanking flange set PE100
Combined jointing face flat and serrated metric

Model:

- d63 - d315: backing flange PP-V with end blank PE
- d355 - d630: backing flange PP/Steel with end blank PE
- Connecting dimensions: ISO 7005, EN 1092, DIN 2501
- **Bolt circle PN 10**

AL: number of holes

L: length of the End Blank

| d | DN | PN | Code | Weight | D | D1 | D2 | D3 | D4 | L | L1 | H | AL | SC |
|------|------|-------|-------------|--------|------|------|------|------|------|------|------|------|----|-----|
| (mm) | (mm) | (bar) | | (kg) | (mm) | (mm) | (mm) | (mm) | (mm) | (mm) | (mm) | (mm) | | |
| 63 | 50 | 16 | 753 700 611 | 0.560 | 75 | 125 | 165 | 18 | 102 | 30 | 14 | 24 | 4 | M16 |
| 75 | 65 | 16 | 753 700 612 | 0.910 | 89 | 145 | 185 | 18 | 122 | 30 | 16 | 26 | 4 | M16 |
| 90 | 80 | 16 | 753 700 613 | 0.921 | 105 | 160 | 200 | 18 | 138 | 30 | 17 | 27 | 8 | M16 |
| 110 | 100 | 16 | 753 700 614 | 1.158 | 125 | 180 | 220 | 18 | 158 | 30 | 18 | 28 | 8 | M16 |
| 125 | 100 | 16 | 753 700 615 | 1.678 | 132 | 180 | 220 | 18 | 158 | 35 | 25 | 28 | 8 | M16 |
| 140 | 125 | 16 | 753 700 616 | 1.913 | 155 | 210 | 250 | 18 | 188 | 40 | 25 | 30 | 8 | M16 |
| 160 | 150 | 16 | 753 700 617 | 2.373 | 175 | 240 | 285 | 22 | 212 | 40 | 25 | 32 | 8 | M20 |
| 180 | 150 | 16 | 753 700 618 | 2.430 | 180 | 240 | 285 | 22 | 212 | 45 | 30 | 32 | 8 | M20 |
| 200 | 200 | 16 | 753 700 619 | 3.495 | 232 | 295 | 340 | 22 | 268 | 50 | 32 | 34 | 8 | M20 |
| 225 | 200 | 16 | 753 700 620 | 3.744 | 235 | 295 | 340 | 22 | 268 | 50 | 32 | 34 | 8 | M20 |
| 250 | 250 | 16 | 753 700 621 | 6.051 | 285 | 350 | 395 | 22 | 320 | 55 | 35 | 38 | 12 | M20 |
| 280 | 250 | 16 | 753 700 622 | 6.305 | 291 | 350 | 395 | 22 | 320 | 60 | 35 | 38 | 12 | M20 |
| 315 | 300 | 16 | 753 700 623 | 8.894 | 335 | 400 | 445 | 22 | 370 | 65 | 35 | 42 | 12 | M20 |
| 355 | 350 | 16 | 753 700 624 | 23.198 | 373 | 460 | 515 | 22 | 430 | 70 | 40 | 40 | 16 | M20 |
| 400 | 400 | 16 | 753 700 625 | 30.766 | 427 | 515 | 574 | 26 | 482 | 75 | 46 | 40 | 16 | M24 |

table continued on the next page